

Instruction Manual

Series: NAKA MUTA2

Read these instructions completely and carefully.

ATTENTIONS

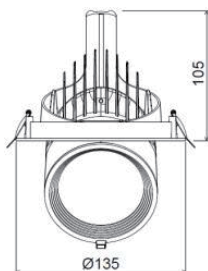
- Read the instruction carefully before installation, non-observance of this instruction may cause damage to the product or hurt to human body. The installation must be carried out by a qualified electrician in accordance with local or national codes.
- Cut off the power supply before installation or maintenance!
- Cut off the power supply before the electric wire connection for product first test.
- Regularly check the luminaire, the LED power supply, the cord and other accessories. Any constructive change of the product is not permitted. If any part is damaged, the product should not be used, please contact the manufacturer.
- Keep this instruction manual for future use.
- The light source of these product are non-changeable light diodes(LED).
- Do not disassemble the product, as the light diode can cause damage to the eyes.
- The production is only for indoor and dry location.
- Wasted PCB during transit, delivery, use and scrap disposal can cause certain environment damage. please handle it according to "waste electronic products disposal rules" locally.

Lesen Sie diese Anweisungen vollständig und sorgfältig durch.

ACHTUNG

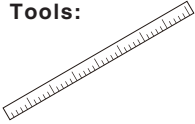
- Lesen Sie die Anweisungen sorgfältig vor der Installation durch. Bei Nichtbeachtung dieser Anweisung kann Schäden am Produkt oder Verletzungen am menschlichen Körper verursachen. Die Installation muss von einem qualifizierten Elektriker gemäß örtlichen oder nationalen Vorschriften durchgeführt werden.
- Schalten Sie die Stromversorgung vor der Installation und Wartung aus!
- Schalten Sie die Stromversorgung vor dem elektrischen Anschluss des Produkts für den ersten Test aus.
- Überprüfen Sie regelmäßig die Lichtquelle, das LED-Netzteil, das Kabel und andere Zubehörteile. Wenn ein Teil beschädigt ist, sollte das Produkt nicht verwendet werden.
- Bewahren Sie diese Bedienungsanleitung für zukünftige Verwendung auf.

Dimension: mm



Model	Power	Rated Input	Beam Angle	Hole size	Minimum Mounting Space (LxWxH)	Ta
NAKA MUTA2-R1-750	27W	750mA	35°	Ø120mm	500x500x500mm	-20°C~35°C

Tools:



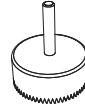
Ruler



Pencil



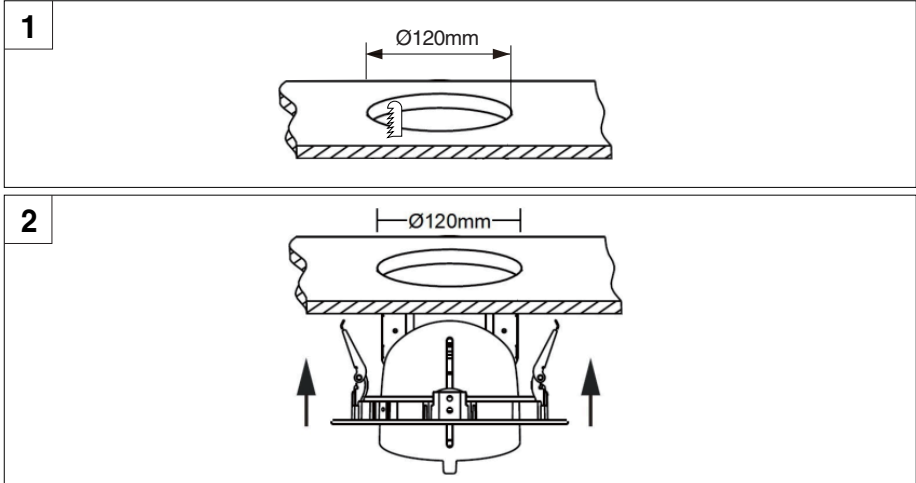
Driller



Ø120mm hole opener

i Installation:

The light is intended to be recessed and fixed used on the ceiling or wall.



Explanation of symbols

	Luminaires are not suitable for covering with thermally insulating material.
	This product should not be disposed with other household wastes throughout the EU. To prevent possible harm to the environment or human health from uncontrolled waste disposal, recycle it responsibly to promote the sustainable reuse of material resources. To return your used device, please use the return and collection systems or contact the retailer where the product was purchased. They can take this product for environmental safe recycling.
	Indoor use only

11/05/2023

Manufacturer

SELF ELECTRONICS CO., LTD.
 Add: No. 1345 JuXian Road, Hi-Tech Park, Ningbo, China 315103

Importer

SELF ELECTRONICS GERMANY GMBH
 Add: August-Horch-Str. 7, 51149 Cologne
 (For European market)

SELF LIGHTING TECHNOLOGY PTY., LTD.
 Add: 31/3 Homelea Court, Rivervale, WA, 6103, Australia
 (For Oceanian market)

SELF ELECTRONICS USA CORP.
 Add: 3264 Saturn Ct, Peachtree Corners, GA 30092
 (For North American market)

SELF ELECTRONICS MIDDLE EAST DMCC
 Add: Unit No. 1299, DMCC Business Centre Level No 1 Jewellery & Gemplex 3, Dubai, United Arab Emirates
 (For Middle Eastern market)