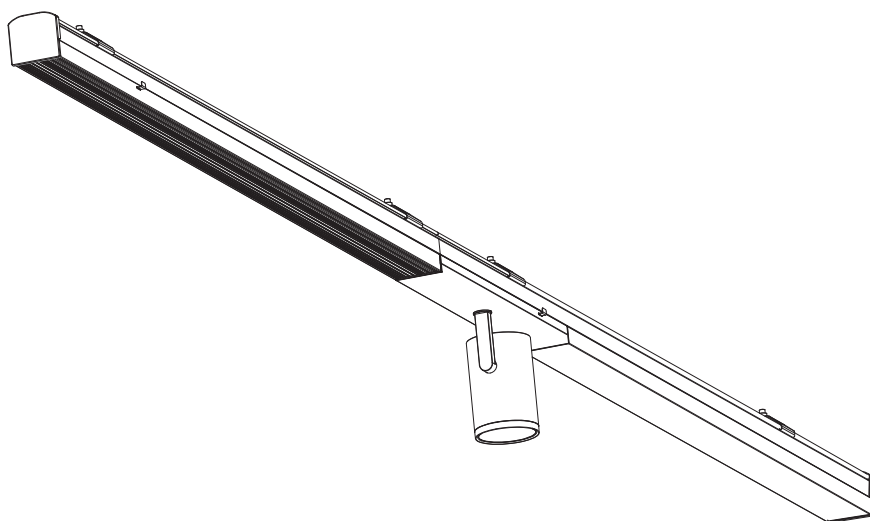


TRUNKTALY2
TRUNK SPOTS
TRUNK CLO
TRUNK CMO



INSTRUCTION MANUAL

SERIES: TRUNK TALY TRUNK TALY2/TRUNK SPOTS/TRUNK CLO CMO SERIE

Read these instructions completely and carefully.

ATTENTIONS

- Read the instruction carefully before installation, non-observance of this instruction may cause damage to the product or hurt to human body. The installation must be carried out by a qualified electrician in accordance with local or national codes.
- Cut off the power supply before installation and maintenance !
- Cut off the power supply before the electric wire connection for product first test.
- Use mains cables for control inputs of ECG which are rated for 230V, don't connect to 380V.
- Regularly check the light source , the LED power supply, the cord and other accessories. Any constructive change of the luminaire shall not be permitted. If any part is damaged, the product should not be used, please contact the manufacturer.
- The product is only for indoor and dry location. Clean the product with a damp cloth (no dripping water), preferably anti-static.
- Do not stare into LED beam.
- Product for Class I , the input line must have a ground wire.
- Wasted PCB during transit, delivery, use and scrap disposal can cause certain environment damage. please handle it according to "waste electronic products disposal rules" locally.
- Non-user replaceable light source
- The light source contained in this luminaire shall only be replaced by the manufacturer or his service agent or a similar qualified person.
- Lighting installation at a height of 2.5 meters above.
- The insulation of DALI control terminal and power supply terminal conforms to Basic Insulation Level.

Emergency Version

- Luminaire is intended for indoor use only.
- The battery must be charged for 24 hours before operating the emergency light system.
- If the stated emergency operating time is not reached, the emergency light battery must be replaced.
- The light must be replaced at least every four years by professional person.
- Only use original batteries obtained from the manufacturer.
- Luminous flux is >640 lm in emergency mode.
- The green indicator light is on during normal work, and the green indicator light is off during emergency work.
- Emergency luminaire, don't adjusted by unauthorized person.
- Ta: 5~35°C for Emergency Version

Lesen Sie diese Anweisungen vollständig und sorgfältig durch.

ACHTUNG



- Lesen Sie die Anweisungen sorgfältig vor der Installation durch. Bei Nichtbeachtung dieser Anweisung kann Schäden am produkt oder Verletzungen am menschlichen Körper verursachen. Die Installation muss von einem qualifizierten Elektriker gemäß örtlichen oder nationalen Vorschriften durchgeführt werden.
- Schalten Sie die Stromversorgung vor der Installation und Wartung aus!
- Schalten Sie die Stromversorgung vor dem elektrischen Anschluss des Produkts für den ersten Test aus.
- Überprüfen Sie regelmäßig die Lichtquelle, das LED-Netzteil, das Kabel und andere Zubehörteile. Wenn ein Teil beschädigt ist, sollte das Produkt nicht verwendet werden.
- Bewahren Sie diese Bedienungsanleitung für zukünftige Verwendung auf.

Emergency Version

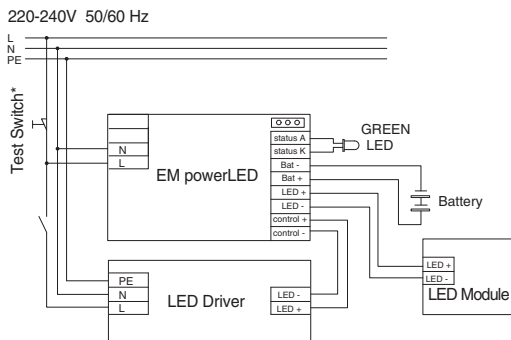
Functions

Duration link selection

Emergency lighting LED Driver supplied with duration link in 3 hours position.

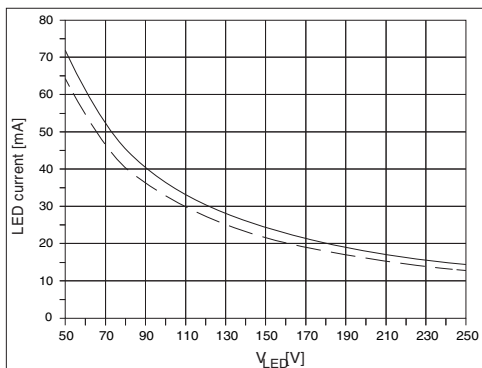
Duration	Usage duration link
3 h	 With link
1 h	 Without link

Electrical schematic



* Use 230 V Test switch

EM converterLED BASIC 204
 NiCd/NiMH 250V
 4.8 V battery voltage
 850 – 960 mA battery discharge
 current (tolerance)

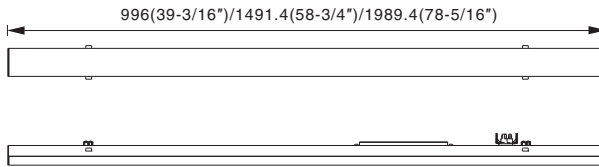
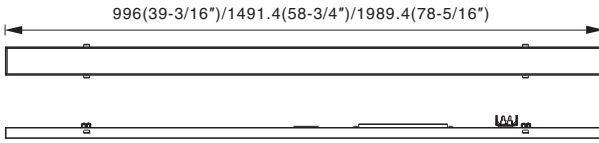
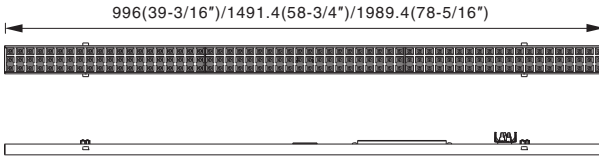


Battery charge / discharge data

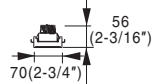
EM converterLED BASIC, 1 / 3 h		
Type	EM converterLED BASIC 204 NiCd/NiMH 250V	
Article no.	89800563	
Cells	4 cells	
Duration	1 h	3 h
Battery charge time	Initial charge	24 h
	Fast recharge	24 h
	Trickle charge	continuously
Charging current	Initial charge	80 – 130 mA 170 – 220 mA
	Fast recharge	80 – 130 mA 170 – 220 mA
	Trickle charge	45 – 95 mA 80 – 130 mA
Discharge current	850 – 960 mA	850 – 960 mA
Charge voltage range*	0.9 – 1.65 V per cell	
Discharge voltage range	1.65 – 0.90 V per cell	

*The battery will be charged below 0.9 V. The EM converterLED will indicate a battery fault.

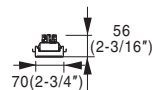
Dimensions: (mm/inches)



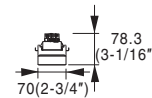
TRUNKTALY2 LO-L1000-220V-R
 TRUNKTALY2 LO-L1500-220V-R
 TRUNKTALY2 LO-L2000-220V-R
 TRUNKTALY2 LO-L1000-220V-DR
 TRUNKTALY2 LO-L1500-220V-DR
 TRUNKTALY2 LO-L2000-220V-DR
 TRUNKTALY2 MO-L1000-220V-R
 TRUNKTALY2 MO-L1500-220V-R
 TRUNKTALY2 MO-L2000-220V-R
 TRUNKTALY2 MO-L1000-220V-DR
 TRUNKTALY2 MO-L1500-220V-DR
 TRUNKTALY2 MO-L2000-220V-DR
 TRUNKTALY2 LO-L1500-220V-3HR
 TRUNKTALY2 MO-L1500-220V-3HR



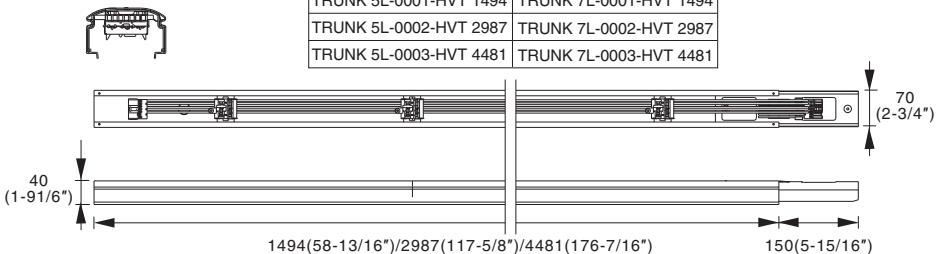
TRUNKTALY2 LO-L1000-220V-FL
 TRUNKTALY2 LO-L1500-220V-FL
 TRUNKTALY2 LO-L2000-220V-FL
 TRUNKTALY2 LO-L1000-220V-DFL
 TRUNKTALY2 LO-L1500-220V-DFL
 TRUNKTALY2 LO-L2000-220V-DFL
 TRUNKTALY2 MO-L1000-220V-FL
 TRUNKTALY2 MO-L1500-220V-FL
 TRUNKTALY2 MO-L2000-220V-FL
 TRUNKTALY2 MO-L1000-220V-DFL
 TRUNKTALY2 MO-L1500-220V-DFL
 TRUNKTALY2 MO-L2000-220V-DFL
 TRUNKTALY2 HO-L1500-220V-DFL
 TRUNKTALY2 LO-L1500-220V-3HFL
 TRUNKTALY2 MO-L1500-220V-3HFL
 TRUNKTALY2 HO-L1500-220V-3HFL



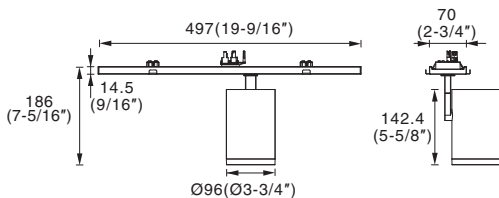
TRUNK CLO-L1000-220V-M
 TRUNK CLO-L1500-220V-M
 TRUNK CLO-L2000-220V-M
 TRUNK CLO-L1000-220V-DM
 TRUNK CLO-L1500-220V-DM
 TRUNK CLO-L2000-220V-DM
 TRUNK CMO-L1500-220V-M
 TRUNK CMO-L1500-220V-DM
 TRUNK CLO-L1500-220V-3HM
 TRUNK CMO-L1500-220V-3HM



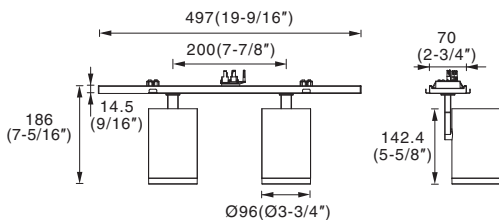
TRUNK 5L-0001-HVT 1494	TRUNK 7L-0001-HVT 1494
TRUNK 5L-0002-HVT 2987	TRUNK 7L-0002-HVT 2987
TRUNK 5L-0003-HVT 4481	TRUNK 7L-0003-HVT 4481



Dimensions: (mm/inches)



TRUNK SPOTS-R1-220V/TRUNK SPOTS-R1-220V-D



TRUNK SPOTS-R2-220V/TRUNK SPOTS-R2-220V-D

Accessories:

<p>Mounting bracket (TRUNK-0201MPA)</p>	<p>TRUNK-0202MPA optional</p>	<p>Wire holder</p>	<p>Light suspension wire</p>	<p>Mounting bracket</p>	<p>expansion screw</p>	<p>screw</p>
---	-----------------------------------	--------------------	----------------------------------	-----------------------------	----------------------------	--------------

End cap and guard ring
(RUNK-0401EC)

Blind cover
(TRUNK-0403EC)

Input plug

Tools:

tape measure

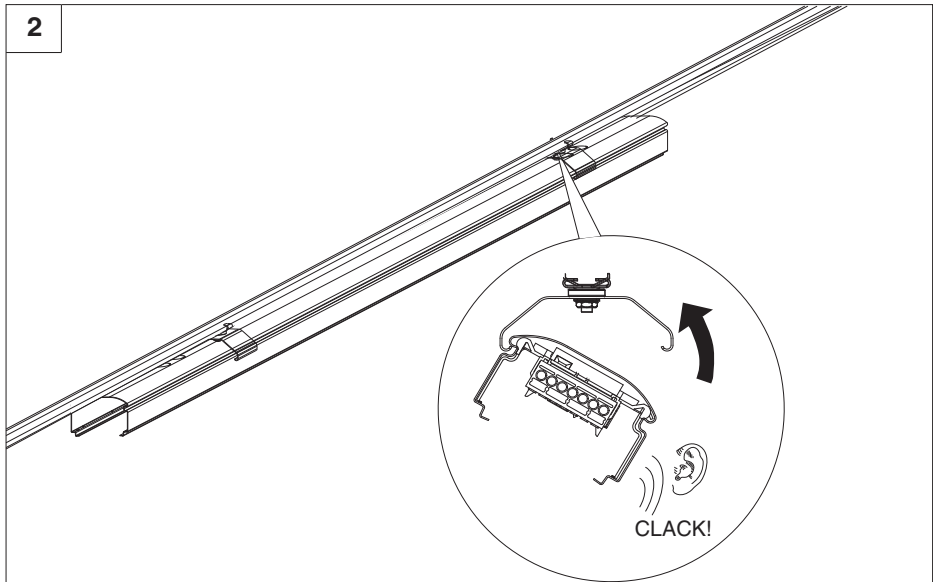
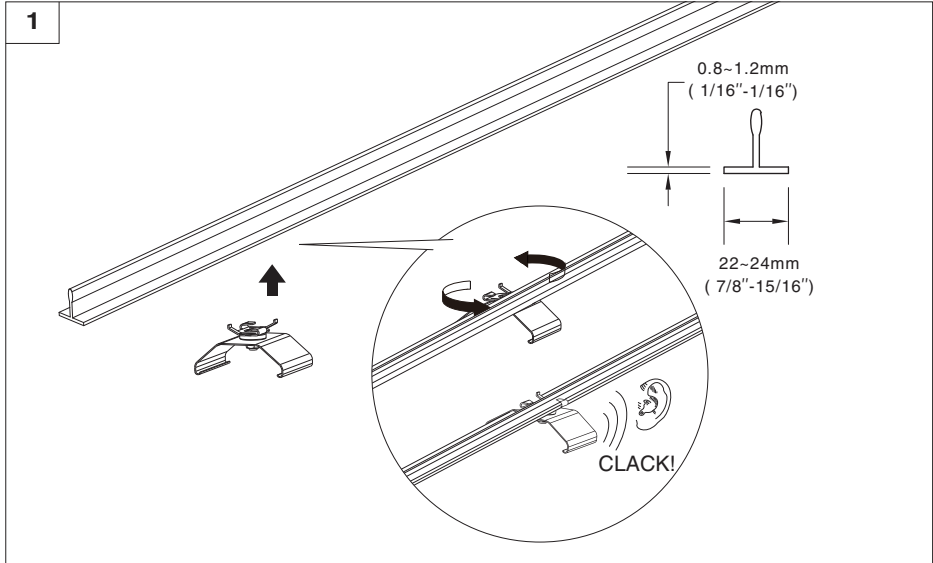
pencil

driller

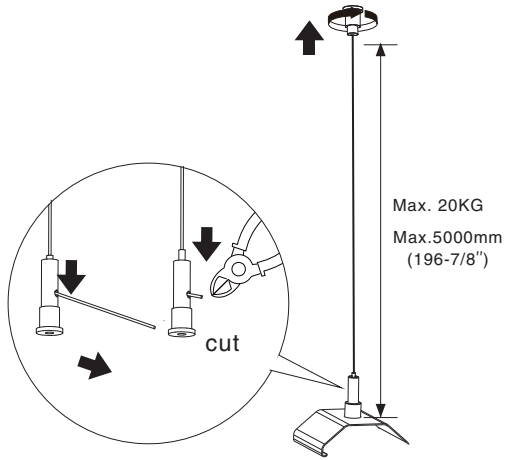
hammer

i Track Installation

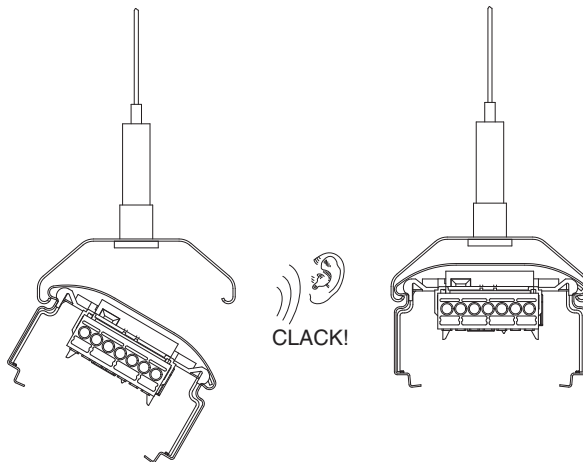
Mounting clip installation

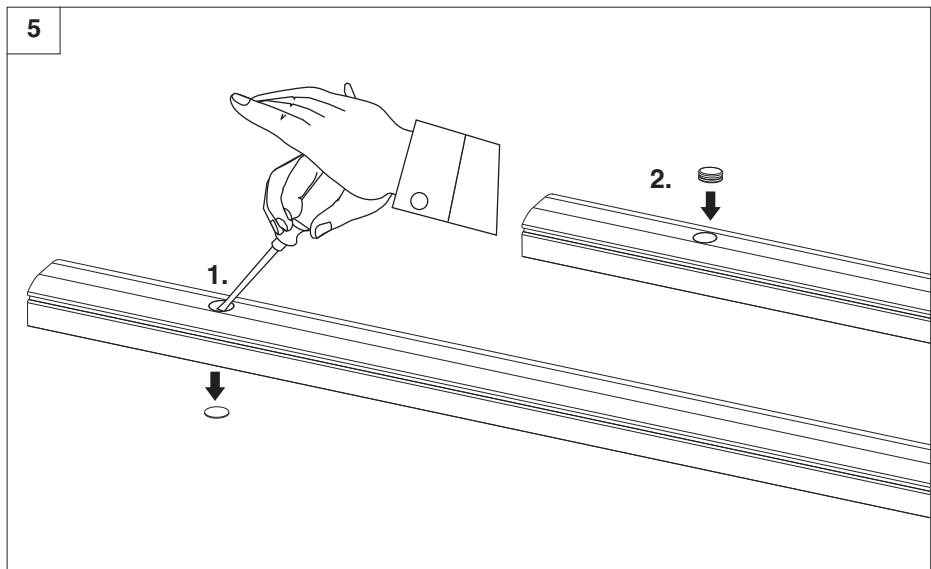
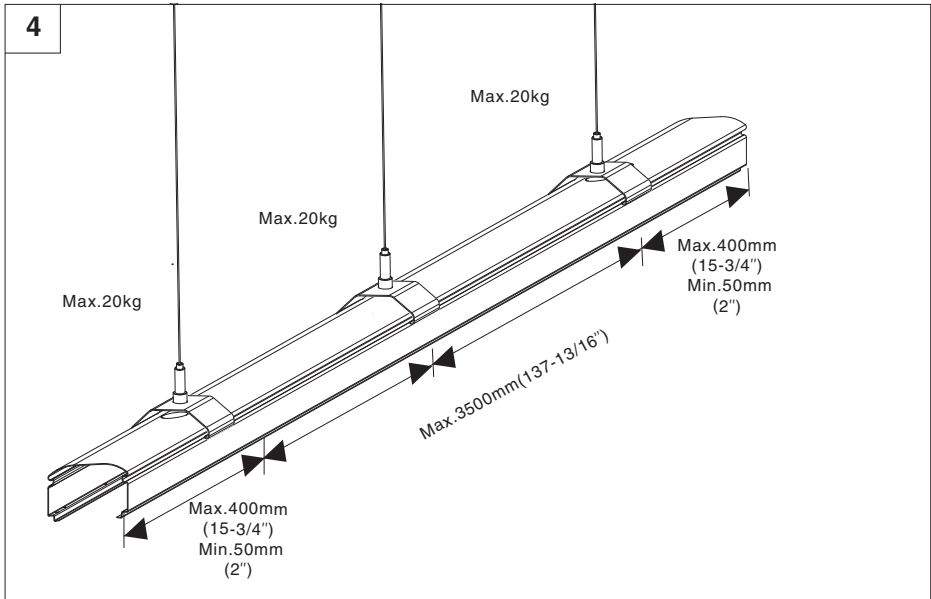


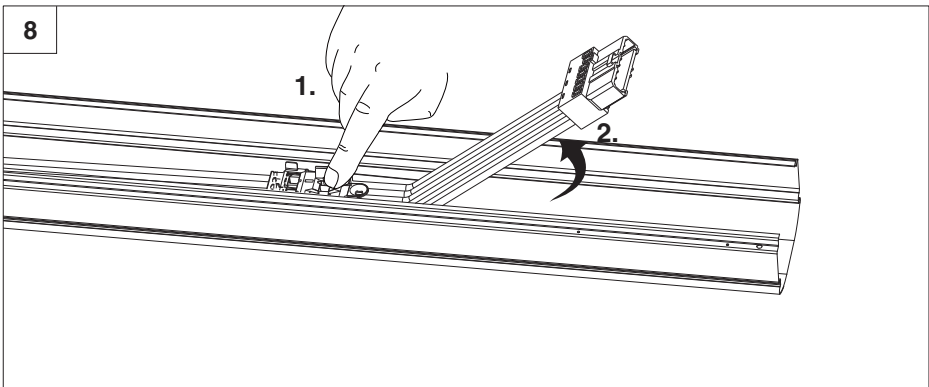
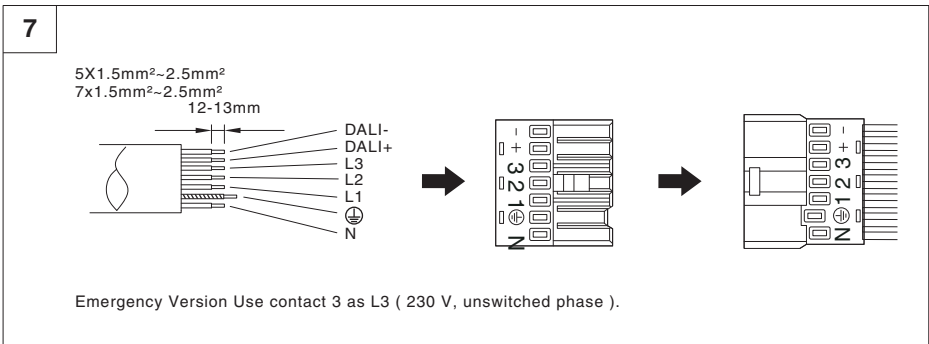
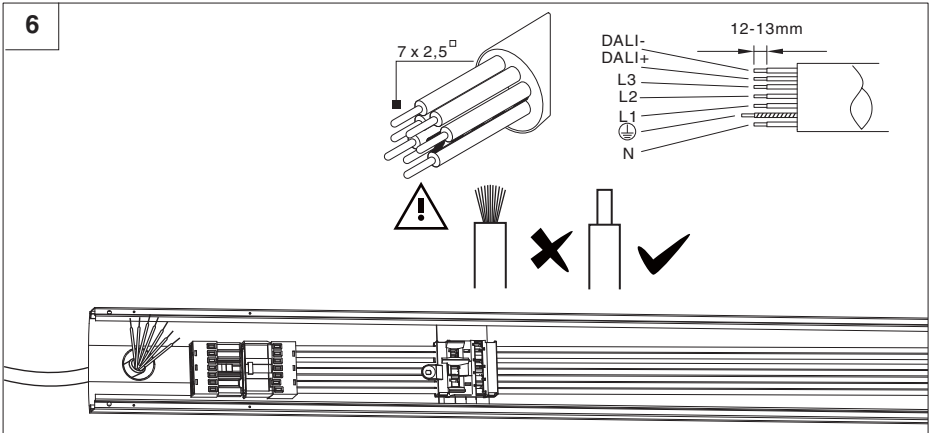
2

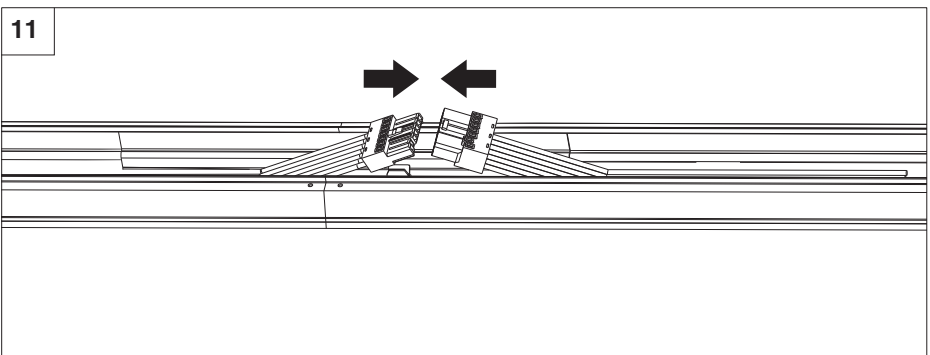
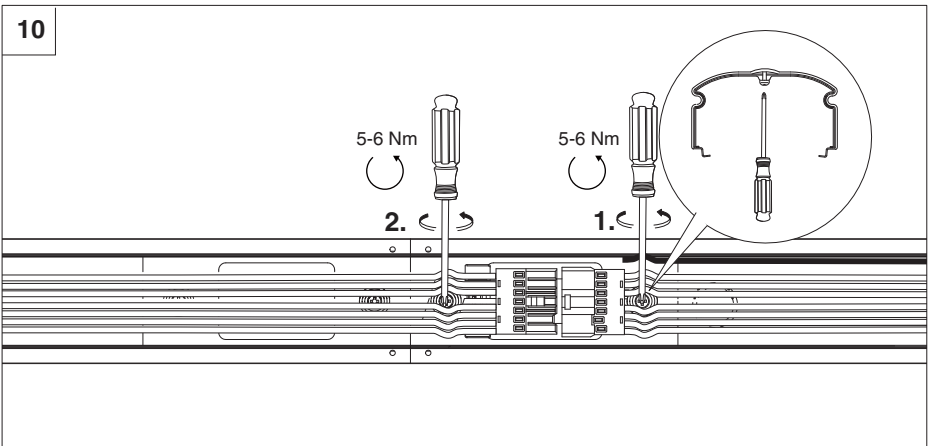
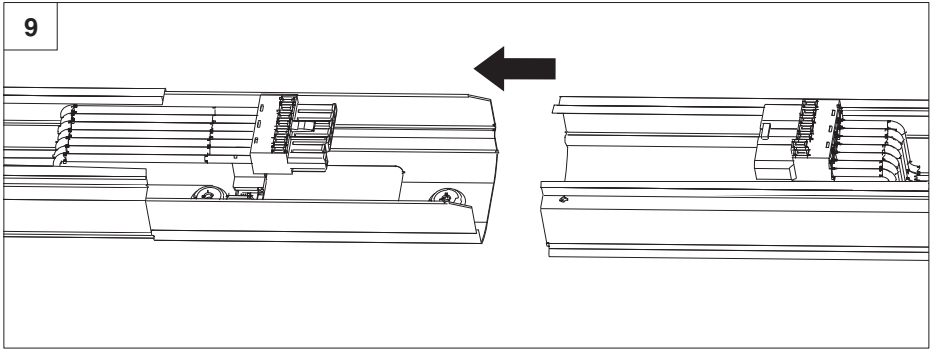


3



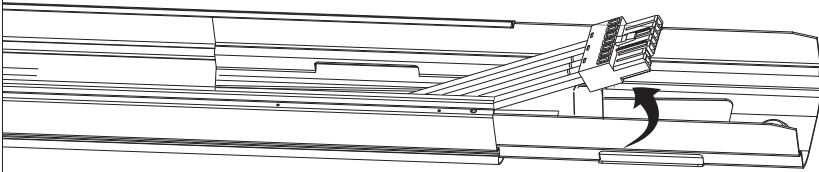




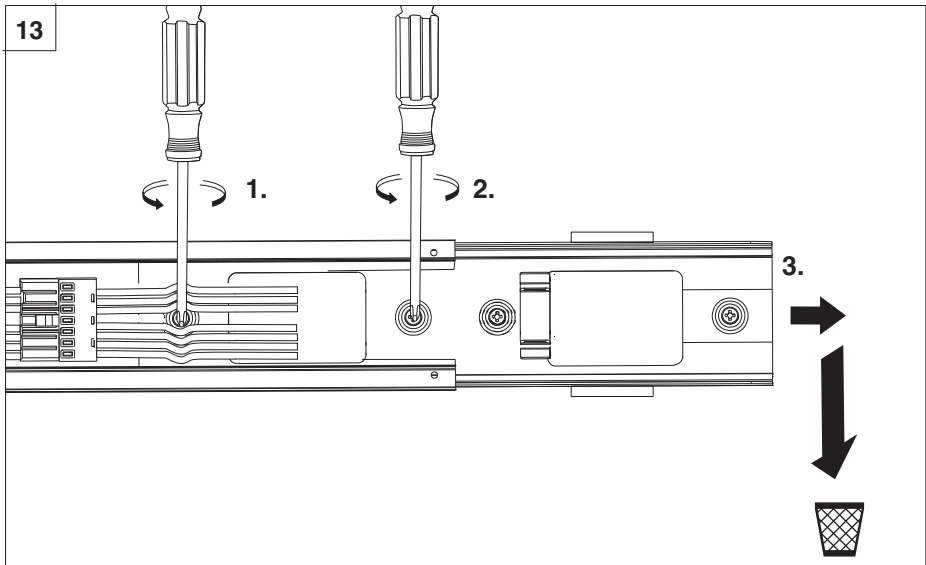


12

The end connector



13



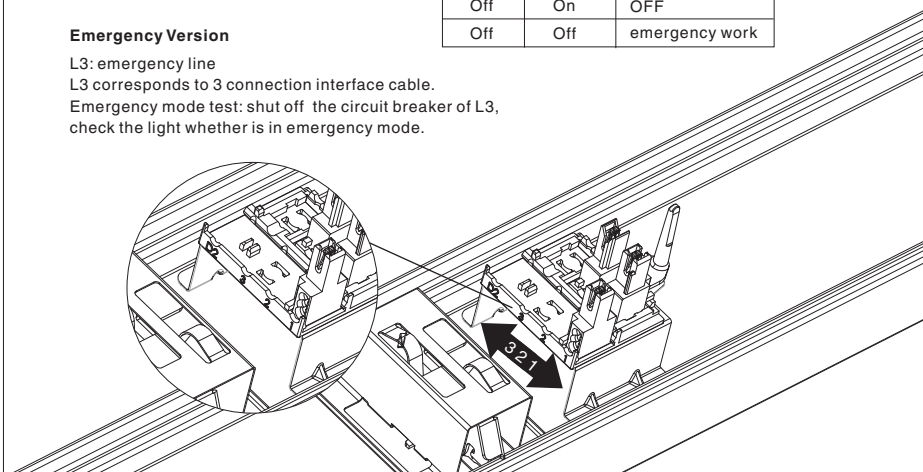
i Luminaire Installation

- 1** L1 corresponds to 1 connection interface cable.
 L2 corresponds to 2 connection interface cable.
 The AC input connector is inserted into the line
 corresponds to spare hole.

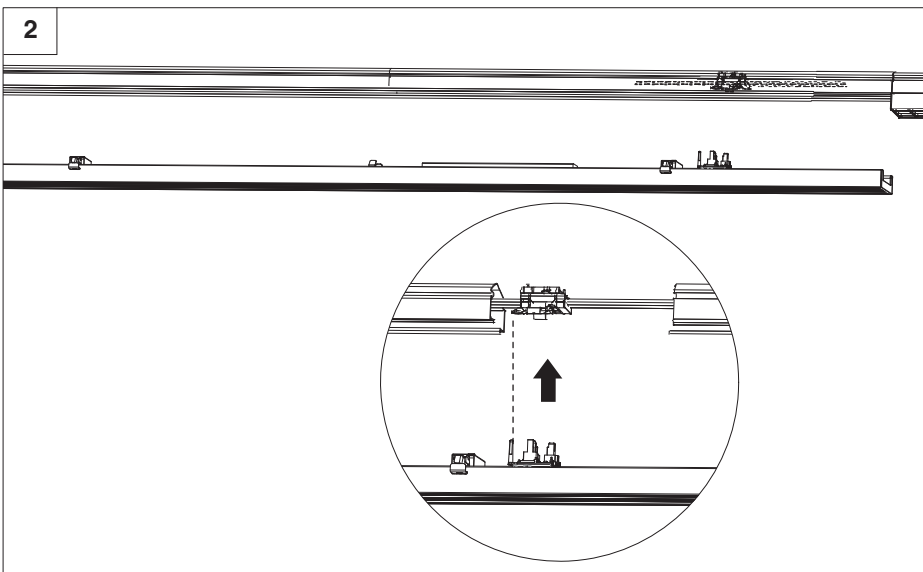
L1	L3	state
On	On	OK
On	Off	emergency work
Off	On	OFF
Off	Off	emergency work

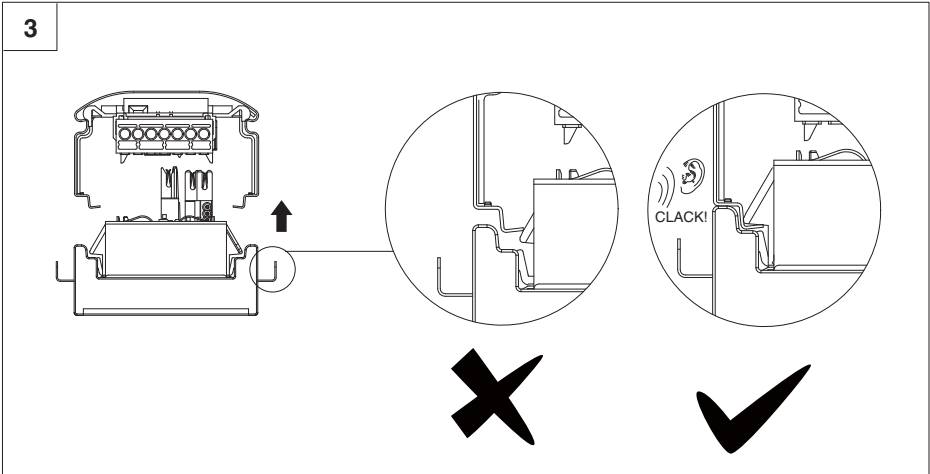
Emergency Version

L3: emergency line
 L3 corresponds to 3 connection interface cable.
 Emergency mode test: shut off the circuit breaker of L3,
 check the light whether is in emergency mode.

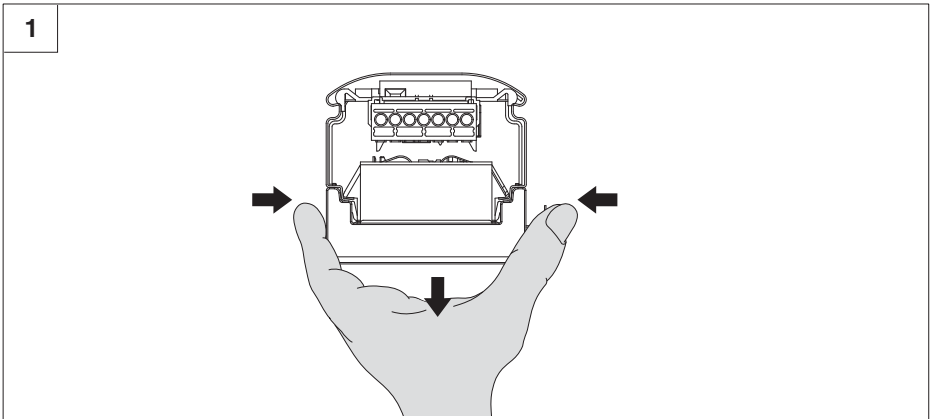


- 2**

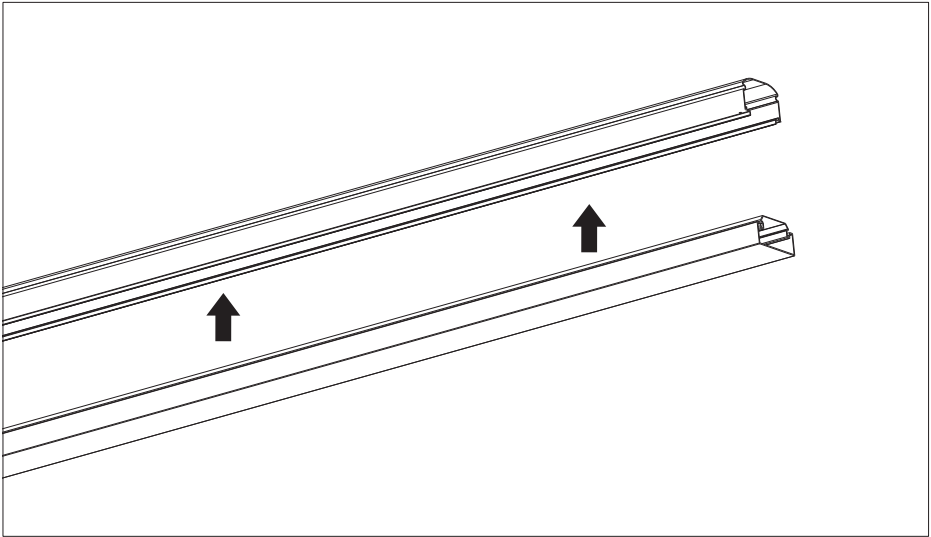




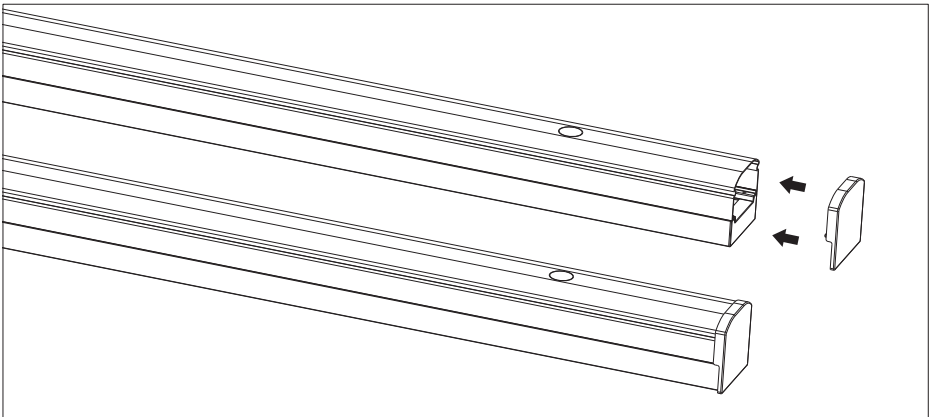
i Disassemble



i Blind cover installation



i End cap installation



Model	Surge	<div style="display: inline-block; border: 1px solid black; padding: 2px;"> <div style="display: flex; justify-content: space-between; width: 100%;"> Input current Max Linkable </div> </div>		Miniature circuit breaker type							
				B10	B13	B16	B20	C10	C13	C16	C20
TRUNKTALY2 LO-L1000-220V-R	30A/200uS	0.1A	13	17	21	26	21	27	35	43	
TRUNKTALY2 LO-L1500-220V-R	30A/200uS	0.15A	13	17	21	26	21	27	35	43	
TRUNKTALY2 LO-L2000-220V-R	40A/100uS	0.2A	11	14	18	23	19	23	31	38	
TRUNKTALY2 LO-L1000-220V-DR	30A/200uS	0.1A	13	17	21	26	21	27	35	43	
TRUNKTALY2 LO-L1500-220V-DR	30A/200uS	0.15A	13	17	21	26	21	27	35	43	
TRUNKTALY2 LO-L2000-220V-DR	40A/100uS	0.2A	11	14	18	23	19	23	31	38	
TRUNKTALY2 MO-L1000-220V-R	30A/200uS	0.15A	13	17	21	26	21	27	35	43	
TRUNKTALY2 MO-L1500-220V-R	50A/200uS	0.25A	8	11	15	18	15	20	25	31	
TRUNKTALY2 MO-L2000-220V-R	50A/200uS	0.3A	8	11	15	18	15	20	25	31	
TRUNKTALY2 MO-L1000-220V-DR	30A/200uS	0.15A	13	17	21	26	21	27	35	43	
TRUNKTALY2 MO-L1500-220V-DR	50A/200uS	0.25A	8	11	15	18	15	20	25	31	
TRUNKTALY2 MO-L2000-220V-DR	50A/200uS	0.3A	8	11	15	18	15	20	25	31	
TRUNKTALY2 LO-L1500-220V-3HR	30A/200uS	0.15A	13	17	21	26	21	27	35	43	
TRUNKTALY2 MO-L1500-220V-3HR	50A/200uS	0.25A	8	11	15	18	15	20	25	31	
TRUNKTALY2 LO-L1000-220V-FL	30A/200uS	0.1A	13	17	21	26	21	27	35	43	
TRUNKTALY2 LO-L1500-220V-FL	30A/200uS	0.15A	13	17	21	26	21	27	35	43	
TRUNKTALY2 LO-L2000-220V-FL	40A/100uS	0.2A	11	14	18	23	19	23	31	38	
TRUNKTALY2 LO-L1000-220V-DFL	30A/200uS	0.1A	13	17	21	26	21	27	35	43	
TRUNKTALY2 LO-L1500-220V-DFL	30A/200uS	0.15A	13	17	21	26	21	27	35	43	
TRUNKTALY2 LO-L2000-220V-DFL	40A/100uS	0.2A	11	14	18	23	19	23	31	38	
TRUNKTALY2 MO-L1000-220V-FL	30A/200uS	0.15A	13	17	21	26	21	27	35	43	
TRUNKTALY2 MO-L1500-220V-FL	50A/200uS	0.25A	8	11	15	18	15	20	25	31	
TRUNKTALY2 MO-L2000-220V-FL	50A/200uS	0.3A	8	11	15	18	15	20	25	31	
TRUNKTALY2 MO-L1000-220V-DFL	30A/200uS	0.15A	13	17	21	26	21	27	35	43	
TRUNKTALY2 MO-L1500-220V-DFL	50A/200uS	0.25A	8	11	15	18	15	20	25	31	
TRUNKTALY2 MO-L2000-220V-DFL	50A/200uS	0.3A	8	11	15	18	15	20	25	31	
TRUNKTALY2 HO-L1500-220V-FL	50A/200uS	0.25A	8	11	15	18	15	20	25	31	
TRUNKTALY2 HO-L1500-220V-DFL	50A/200uS	0.25A	8	11	15	18	15	20	25	31	
TRUNKTALY2 LO-L1500-220V-3HFL	50A/200uS	0.15A	13	17	21	26	21	27	35	43	
TRUNKTALY2 MO-L1500-220V-3HFL	50A/200uS	0.25A	8	11	15	18	15	20	25	31	
TRUNKTALY2 HO-L1500-220V-3HFL	50A/200uS	0.25A	8	11	15	18	15	20	25	31	
TRUNK CLO-L1000-220V-M	30A/200uS	0.1A	13	17	21	26	21	27	35	43	
TRUNK CLO-L1500-220V-M	30A/200uS	0.15A	13	17	21	26	21	27	35	43	
TRUNK CLO-L2000-220V-M	40A/100uS	0.2A	11	14	18	23	19	23	31	38	
TRUNK CLO-L1000-220V-DM	30A/200uS	0.1A	13	17	21	26	21	27	35	43	
TRUNK CLO-L1500-220V-DM	30A/200uS	0.15A	13	17	21	26	21	27	35	43	
TRUNK CLO-L2000-220V-DM	40A/100uS	0.2A	11	14	18	23	19	23	31	38	
TRUNK CMO-L1500-220V-M	50A/200uS	0.25A	8	11	15	18	15	20	25	31	
TRUNK CMO-L1500-220V-DM	50A/200uS	0.25A	8	11	15	18	15	20	25	31	
TRUNK CLO-L1500-220V-3HM	30A/200uS	0.15a	13	17	21	26	21	27	35	43	
TRUNK CMO-L1500-220V-3HM	40A/100uS	0.25A	8	11	15	18	15	20	25	31	

Model	Surge	Input current		Miniature circuit breaker type							
		Input current	Max Linkable	B10	B13	B16	B20	C10	C13	C16	C20
TRUNK SPOTS-R1-220V	5.6A/56uS	0.15A		43	56	69	86	50	65	80	100
TRUNK SPOTS-R1-220V-D	5.6A/56uS	0.15A		43	56	69	86	50	65	80	100
TRUNK SPOTS-R2-220V	11.2A/56uS	0.3A		21	28	34	43	25	32	40	50
TRUNK SPOTS-R2-220V-D	11.2A/56uS	0.3A		21	28	34	43	25	32	40	50

Maximum number of interconnections of different products.

20/10/2023

Manufacturer

SELF ELECTRONICS CO., LTD.

Add: No. 1345 JuXian Road, Hi-Tech Park, Ningbo, China 315103

Importer

SELF ELECTRONICS GERMANY GMBH

Add: August-Horch-Str. 7, 51149 Cologne

(For European market)

SELF ELECTRONICS USA CORP.

Add: 3264 Saturn Ct, Peachtree Corners, GA 30092

(For North American market)

SELF LIGHTING TECHNOLOGY PTY., LTD.

Add: 31/3 Homelea Court, Rivervale, WA, 6103, Australia

(For Oceanian market)

SELF ELECTRONICS MIDDLE EAST DMCC

Add: Unit No. 1299, DMCC Business Centre Level No 1 Jewellery & Gemplex 3, Dubai, United Arab Emirates

(For Middle Eastern market)