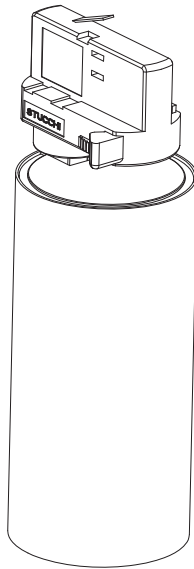


TELEP2



Instruction Manual

Series: TELEP2

Read these instructions completely and carefully.

ATTENTIONS

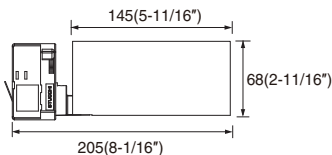
- Read the instruction carefully before installation, non-observance of this instruction may cause damage to the product or hurt to human body. The installation must be carried out by a qualified electrician in accordance with local or national codes.
- Cut off the power supply before installation or maintenance!
- Cut off the power supply before the electric wire connection for product first test.
- Regularly check the luminaire, the LED power supply, the cord and other accessories. Any constructive change of the product is not permitted. If any part is damaged, the product should not be used, please contact the manufacturer.
- Keep this instruction manual for future use.
- The light source of these products are non-changeable light diodes(LED).
- Do not disassemble the product, as the light diode can cause damage to the eyes.
- Use only in indoor,dry location.Clean the product with a dry cloth.
- For USA market, specific Track model is required.
- Manufacturer's Name Series Number of The Track: Dong Guan Tian Sheng Optic-tronics Corp. POWERGEAR PRO-0410/PRO-0420
- The luminaire shall be mounted out of arm's reach. The recommended installation height shall be at least 2,5 meter (above the ground).

Lesen Sie diese Anweisungen vollständig und sorgfältig durch.

ACHTUNG

- Lesen Sie die Anweisungen sorgfältig vor der Installation durch. Bei Nichtbeachtung dieser Anweisung kann Schäden am Produkt oder Verletzungen am menschlichen Körper verursachen. Die Installation muss von einem qualifizierten Elektriker gemäß örtlichen oder nationalen Vorschriften durchgeführt werden.
- Schalten Sie die Stromversorgung vor der Installation und Wartung aus!
- Schalten Sie die Stromversorgung vor dem elektrischen Anschluss des Produkts für den ersten Test aus.
- Überprüfen Sie regelmäßig die Lichtquelle, das LED-Netzteil, das Kabel und andere Zubehörteile. Wenn ein Teil beschädigt ist, sollte das Produkt nicht verwendet werden.
- Bewahren Sie diese Bedienungsanleitung für zukünftige Verwendung auf.

Dimensions: (inch/mm)



Model	Rated input	Power	Length	ta
TELEP2-R1-220V	220-240VAC(EU)	20W	205mm (8-1/16")	-20°C~35°C (-4~-95°F)
	120VAC(NA)			

Tools



Electrical Safety
Gloves



Clean cloth



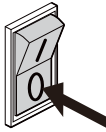
Cleaning liquid
(50% ethanol)



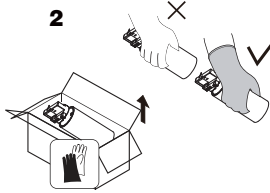
Ø 60 mm
Rubber plug



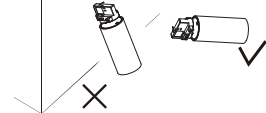
1



2

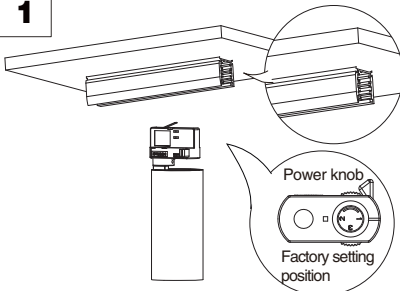


3



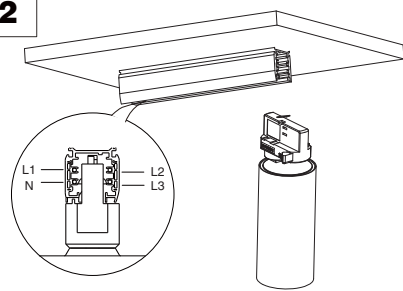
ⓘ Installation(EU)

1



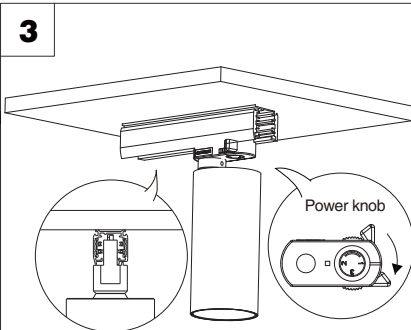
Track layout should be refer to the track installation manual.

2



Insert the track light into the track groove. Keep the rib of the adapter with the same level of track surface.

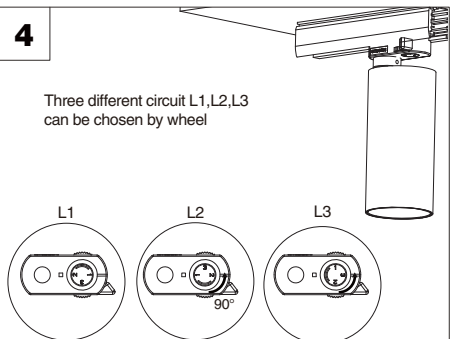
3



Turn the power knob anti-clockwise to lock the track,

4

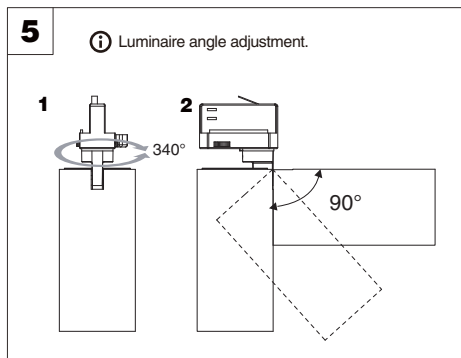
Three different circuit L1,L2,L3 can be chosen by wheel



L1 circuit works

L2 circuit works

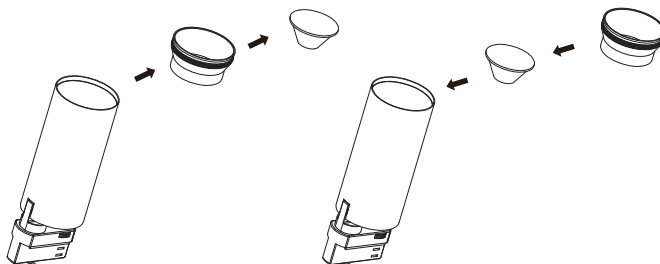
L3 circuit works



ⓘ Feature:

Replace lens according to your desired beam angle.

The reflector rotates out counterclockwise first, and then replace the lens



NOTE: The operation should be done only by a qualified electrician.

11/05/2023

Manufacturer

SELF ELECTRONICS CO., LTD.
 Add: No. 1345 JuXian Road, Hi-Tech Park, Ningbo, China 315103

Importer

SELF ELECTRONICS GERMANY GMBH
 Add: August-Horch-Str. 7, 51149 Cologne
 (For European market)

SELF LIGHTING TECHNOLOGY PTY., LTD.
 Add: 31/3 Homelea Court, Rivervale, WA, 6103, Australia
 (For Oceanian market)

SELF ELECTRONICS USA CORP.
 Add: 3264 Saturn Ct, Peachtree Corners, GA 30092
 (For North American market)

SELF ELECTRONICS MIDDLE EAST DMCC
 Add: Unit No. 1299, DMCC Business Centre Level No 1 Jewellery & Gemplex 3, Dubai, United Arab Emirates
 (For Middle Eastern market)