

## INSTRUCTION MANUAL

### SERIES: MINITELEP

Read these instructions completely and carefully.

#### ⚠ ATTENTIONS

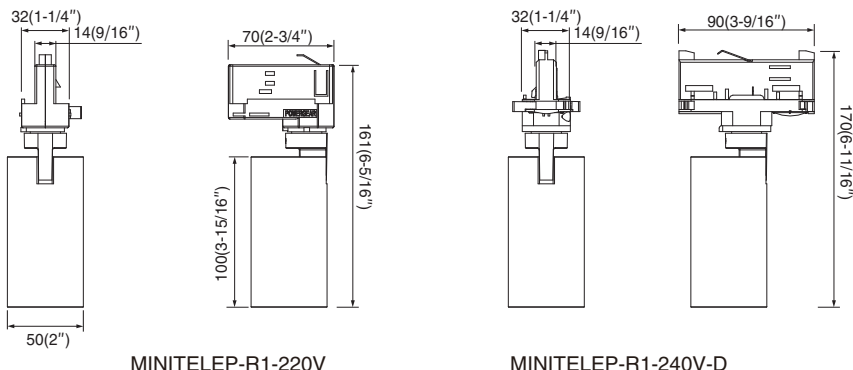
- Read the instruction carefully before installation, non-observance of this instruction may cause damage to the fixture or hurt to human body. The installation must be carried out by a qualified electrician in accordance with local or national codes.
- Cut off the power supply before installation and maintenance !
- Cut off the power supply before the electric wire connection for product first test.
- Regularly check the luminaire , the light source , the LED power supply, the cord and other accessories. Any constructive change of the product shall not be permitted. If any part is damaged, the product should not be used, please contact the manufacturer.
- Keep this instruction manual handy for future use.
- The light source of this luminaire is not replaceable; when the light source reaches its end of life the whole luminaire shall be replaced.
- Do not disassemble the product, as the light diode can cause damage to the eyes.
- Use only in indoor,dry location.Clean the product with a dry cloth.
- The luminaire shall be mounted out of arm's reach. The recommended installation height shall be at least 2,5 meter (above the ground).
- The insulation of DALI control terminal and power supply terminal conforms to Basic Insulation Level.

Lesen Sie diese Anweisungen vollständig und sorgfältig durch.

#### ⚠ ACHTUNG

- Lesen Sie die Anweisungen sorgfältig vor der Installation durch. Bei Nichtbeachtung dieser Anweisung kann Schäden am Produkt oder Verletzungen am menschlichen Körper verursachen. Die Installation muss von einem qualifizierten Elektriker gemäß örtlichen oder nationalen Vorschriften durchgeführt werden.
- Schalten Sie die Stromversorgung vor der Installation und Wartung aus!
- Schalten Sie die Stromversorgung vor dem elektrischen Anschluss des Produkts für den ersten Test aus.
- Überprüfen Sie regelmäßig die Lichtquelle, das LED-Netzteil, das Kabel und andere Zubehörteile. Wenn ein Teil beschädigt ist, sollte das Produkt nicht verwendet werden.
- Bewahren Sie diese Bedienungsanleitung für zukünftige Verwendung auf.

### Dimension: (mm/Inches)



Model	Rated Input	Power	Beam angle	Length(L)	Ta
MINITELEP-R1-220V	220~240VAC	11W	12°	161mm(6-5/16")	-20~35°C
		14W	24°		
			36°		
MINITELEP-R1-240V-D	100~120VAC (For North America)	11W	12°	170mm(6-11/16")	-20~35°C
	220~240VAC (For EU)	14W	24°		
			36°		

### Tools:



Electrical Safety  
Gloves



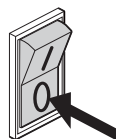
Clean cloth



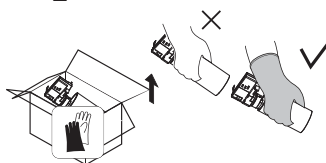
Cleaning liquid  
(50% ethanol)



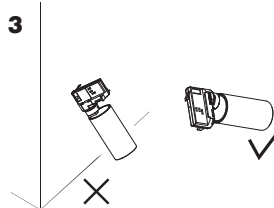
1



2

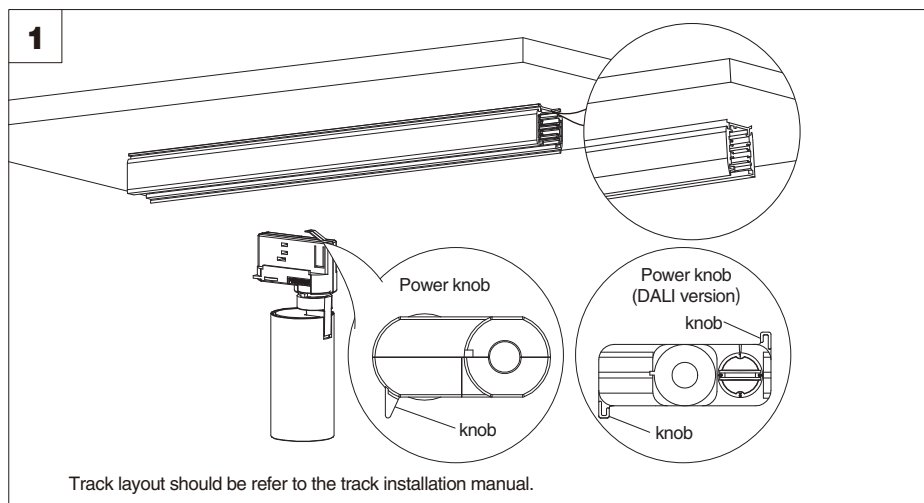


3



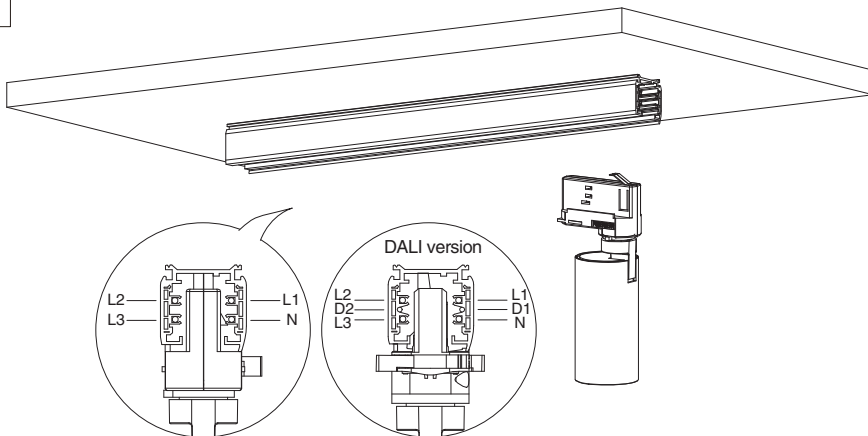
### Installation

1



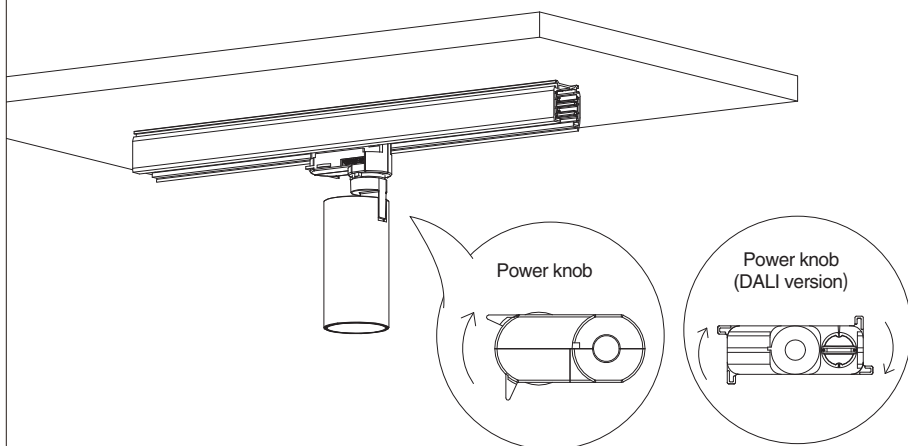
Track layout should be refer to the track installation manual.

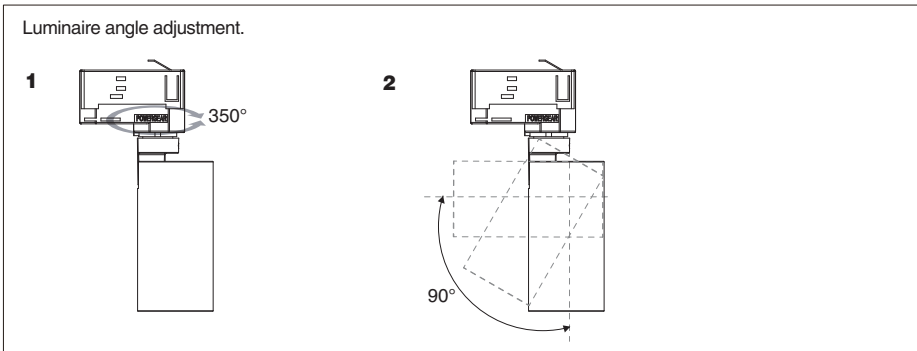
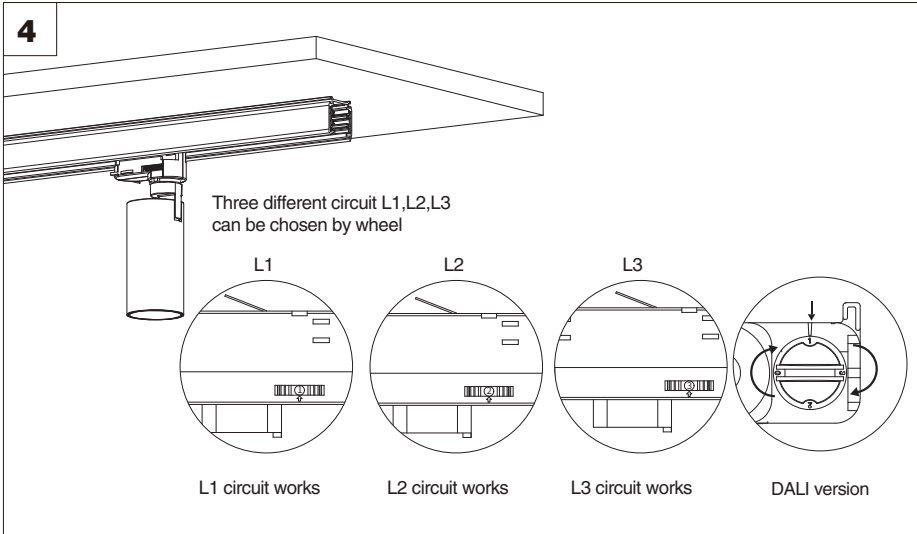
2



Insert the track light into the track groove. Keep the rib of the adapter with the same level of track surface.

3





22/08/2023

**Manufacturer**

**SELF ELECTRONICS CO., LTD.**  
 Add: No. 1345 JuXian Road, Hi-Tech Park, Ningbo, China 315103

**Importer**

**SELF ELECTRONICS GERMANY GMBH**  
 Add: August-Horch-Str. 7, 51149 Cologne  
 ( For European market )

**SELF LIGHTING TECHNOLOGY PTY., LTD.**  
 Add: 31/3 Homelea Court, Rivervale, WA, 6103, Australia  
 ( For Oceanian market )

**SELF ELECTRONICS USA CORP.**  
 Add: 3264 Saturn Ct, Peachtree Corners, GA 30092  
 ( For North American market )

**SELF ELECTRONICS MIDDLE EAST DMCC**  
 Add: Unit No. 1299, DMCC Business Centre Level No 1 Jewellery & Gemplex 3, Dubai, United Arab Emirates  
 ( For Middle Eastern market )