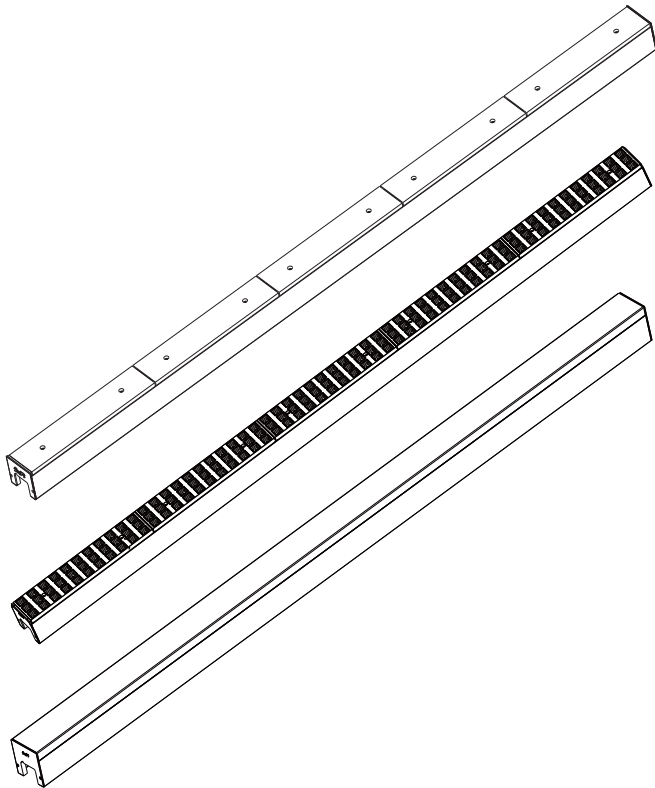


EVEREST



Instruction Manual

Series: EVEREST

Read these instructions completely and carefully.

ATTENTIONS

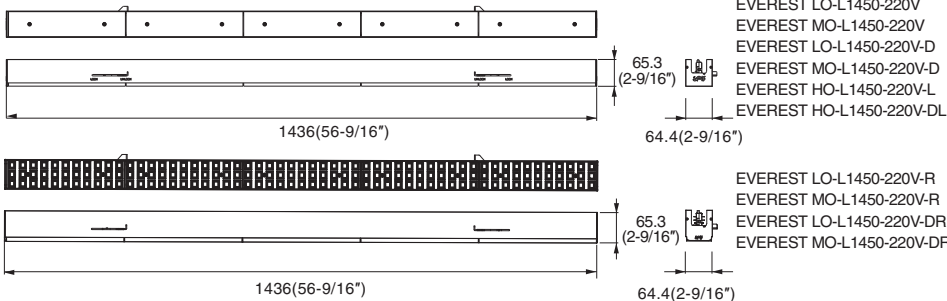
- Read the instruction carefully before installation , non-observance of this instruction may cause damage to the fixture or hurt to human body. The installation must be carried out by a qualified electrician in accordance with local or national codes.
- Cut off the power supply before installation and maintenance !
- Cut off the power supply before the electric wire connection for product first test.
- Regularly check the light source , the LED power supply, the cord and other accessories.
- If any part is damaged, the product should not be used.
- Keep this instruction manual handy for future use.
- The light source of these products are non-user replaceable : light source which can only be replaced by the manufacturer, his service agent, or similar,qualified person.
- Do not disassemble the product, as the light diode can cause damage to the eyes.
- Use only in indoor,dry location.Clean the product with a dry cloth.
- For USA market, specific Track model is required.
- Manufacturer's Name Series Number of The Track: Dong Guan Tian Sheng Optic-tronics Corp.
POWERGEAR PRO-0410/PRO-0420
- The luminaire shall be mounted out of arm's reach. The recommended installation height shall be at least 2,5 meter (above the ground).
- The insulation of DALI control terminal and power supply terminal conforms to Basic Insulation Level.

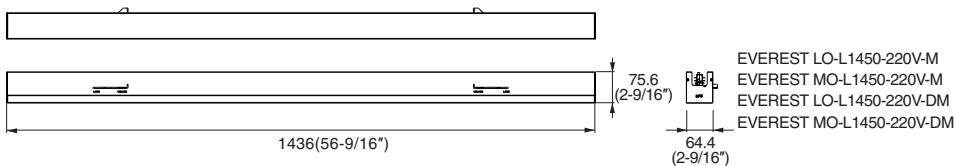
Lesen Sie diese Anweisungen vollständig und sorgfältig durch.

ACHTUNG

- Lesen Sie die Anweisungen sorgfältig vor der Installation durch. Bei Nichtbeachtung dieser Anweisung kann Schäden am Produkt oder Verletzungen am menschlichen Körper verursachen. Die Installation muss von einem qualifizierten Elektriker gemäß örtlichen oder nationalen Vorschriften durchgeführt werden.
- Schalten Sie die Stromversorgung vor der Installation und Wartung aus!
- Schalten Sie die Stromversorgung vor dem elektrischen Anschluss des Produkts für den ersten Test aus.
- Überprüfen Sie regelmäßig die Lichtquelle, das LED-Netzteil, das Kabel und andere Zubehörteile. Wenn ein Teil beschädigt ist, sollte das Produkt nicht verwendet werden.
- Bewahren Sie diese Bedienungsanleitung für zukünftige Verwendung auf.

Dimensions: (inch/mm)





| Model | Rated input | Power | Length | ta |
|--------------------------|-------------|-------|----------------------|--------------------------|
| EVEREST LO-L1450-220V | 220-240VAC | 35W | 1436mm (56-9/16") | -20 C ~35 C (-4~95°F) |
| EVEREST MO-L1450-220V | 220-240VAC | 50W | | |
| EVEREST LO-L1450-220V-D | 220-240VAC | 35W | | |
| EVEREST MO-L1450-220V-D | 220-240VAC | 50W | | |
| EVEREST HO-L1450-220V-L | 220-240VAC | 80W | 1436mm (56-9/16") | -20 C ~35 C (-4~95°F) |
| EVEREST HO-L1450-220V-DL | 220-240VAC | 80W | | |
| EVEREST LO-L1450-220V-R | 220-240VAC | 35W | 1436mm (56-9/16") | -20 C ~35 C (-4~95°F) |
| EVEREST MO-L1450-220V-R | 220-240VAC | 50W | | |
| EVEREST LO-L1450-220V-DR | 220-240VAC | 35W | | |
| EVEREST MO-L1450-220V-DR | 220-240VAC | 50W | | |
| EVEREST LO-L1450-220V-M | 220-240VAC | 35W | 1436mm (56-9/16") | -20 C ~35 C (-4~95°F) |
| EVEREST MO-L1450-220V-M | 220-240VAC | 50W | | |
| EVEREST LO-L1450-220V-DM | 220-240VAC | 35W | | |
| EVEREST MO-L1450-220V-DM | 220-240VAC | 50W | | |

Accessories:



End feed



suspension kit
with ROD(6mmx1m)



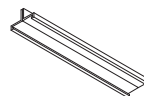
Suspension kit
with wire



Mounting kit



End cap

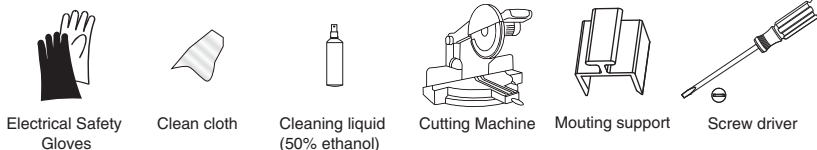


Suspension Clamp

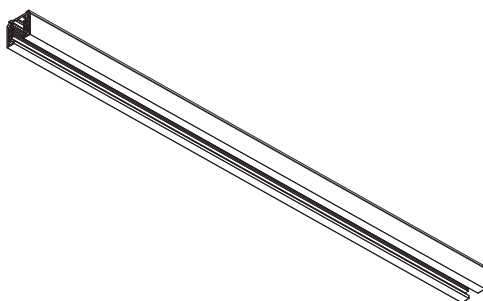


Straight coupler

Tools



① Track Installation

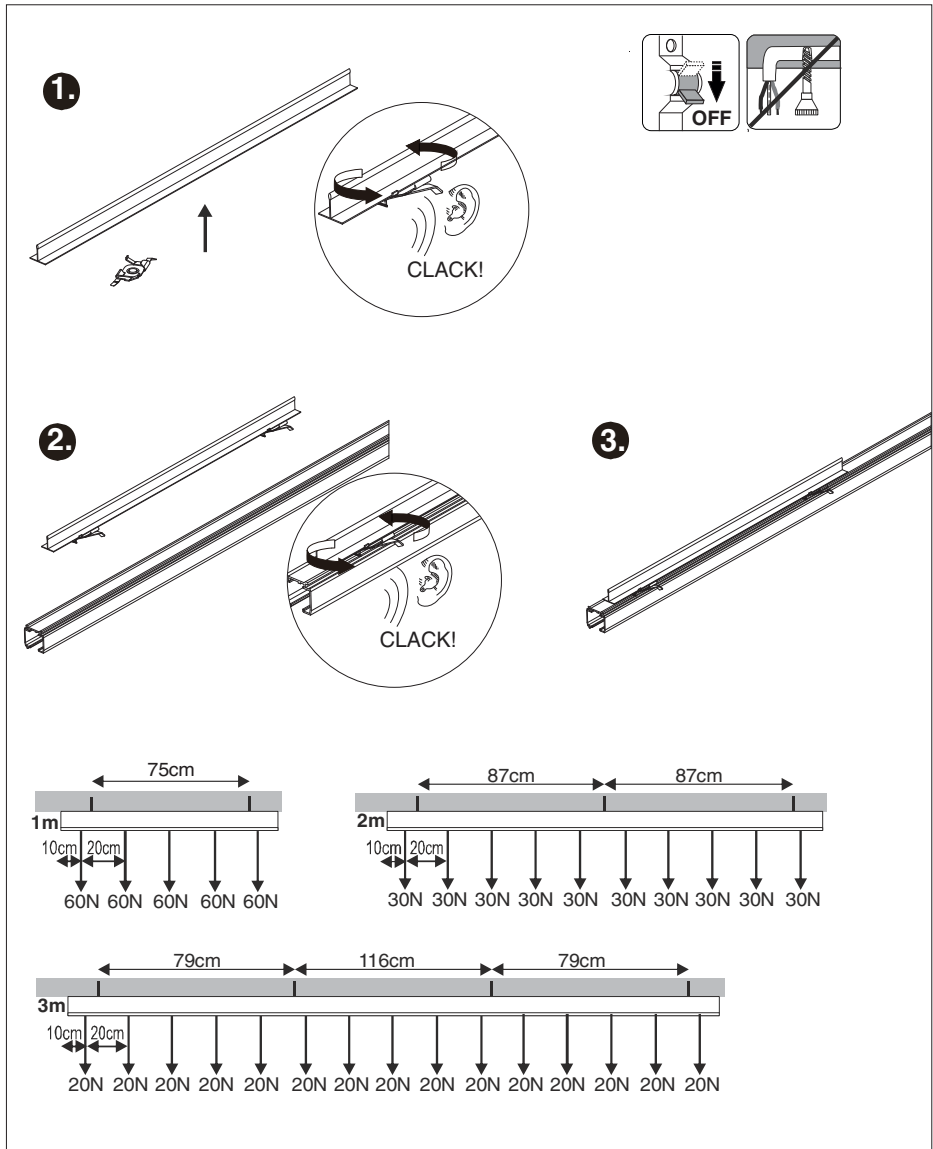


The following track system is recommended, for other brands, further application need to be tested, please contact our technicians.

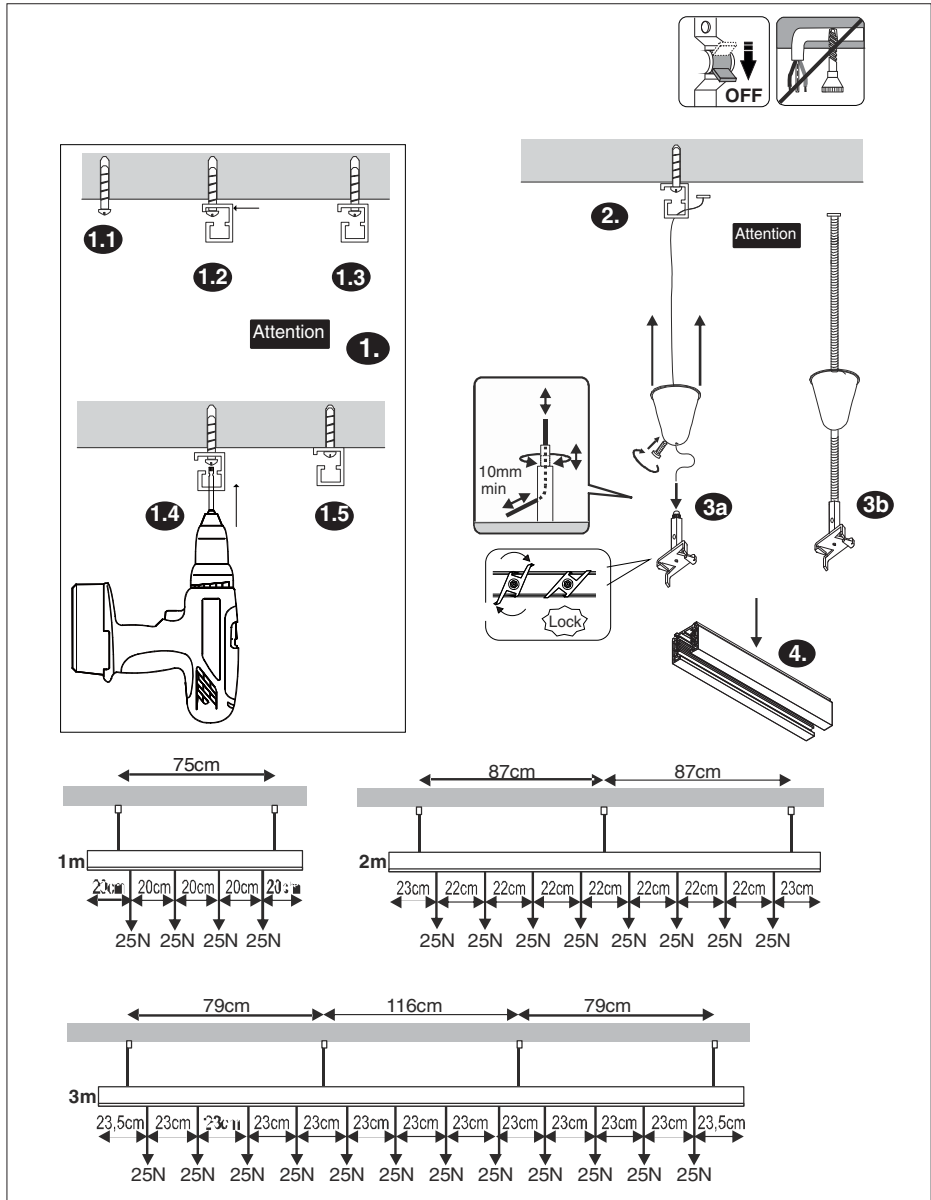
| Model | TRACK BRAND | TRACK MODEL NUMBER |
|--|-------------|----------------------|
| EVEREST LO-L1450-220V EVEREST MO-L1450-220V EVEREST HO-L1450-220V-L EVEREST LO-L1450-220V-R EVEREST MO-L1450-220V-R EVEREST LO-L1450-220V-M EVEREST MO-L1450-220V-M (Standard version) | GLOBAL | XTSC-4 SERIES |
| | AAG Stucchi | STANDARD 9000-SERIES |
| | POWER GEAR | PRO-04 SERIES |
| EVEREST LO-L1450-220V-D EVEREST MO-L1450-220V-D EVEREST HO-L1450-220V-DL EVEREST LO-L1450-220V-DR EVEREST MO-L1450-220V-DR EVEREST LO-L1450-220V-DM EVEREST MO-L1450-220V-DM (DALI version) | GLOBAL | XTSC-6 SERIES |
| | AAG Stucchi | STANDARD 9000-SERIES |
| | POWER GEAR | PRO-06 SERIES |

* Track upgrade may affect the installation of EVEREST, subject to the actual assembly.

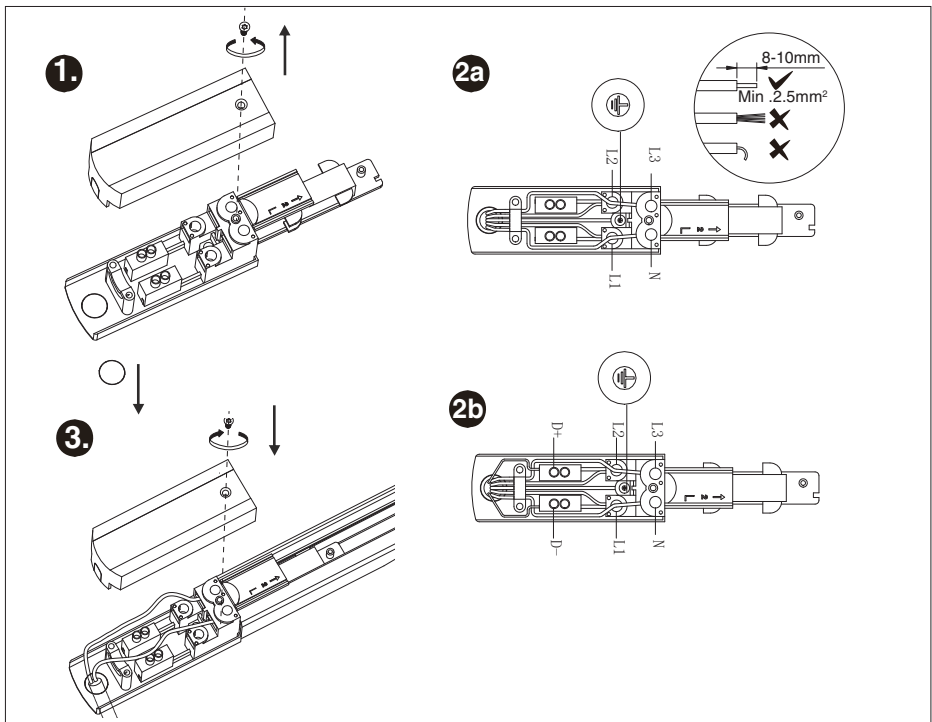
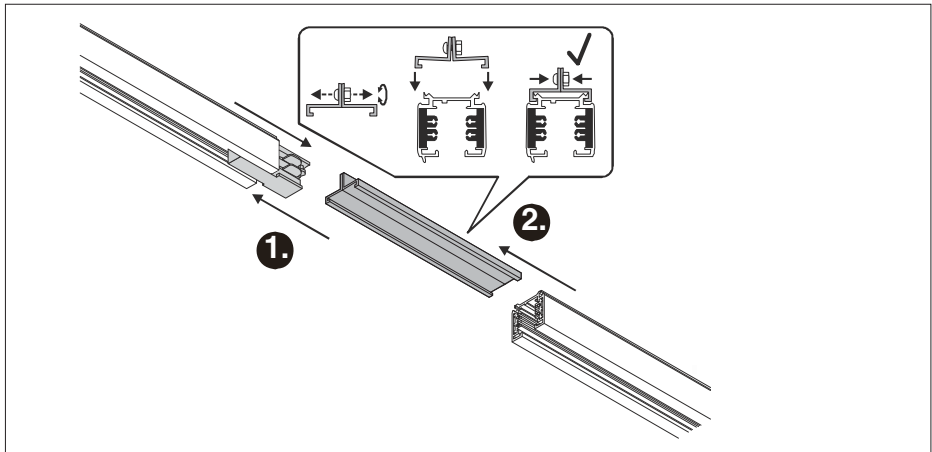
Surface mounting Installation

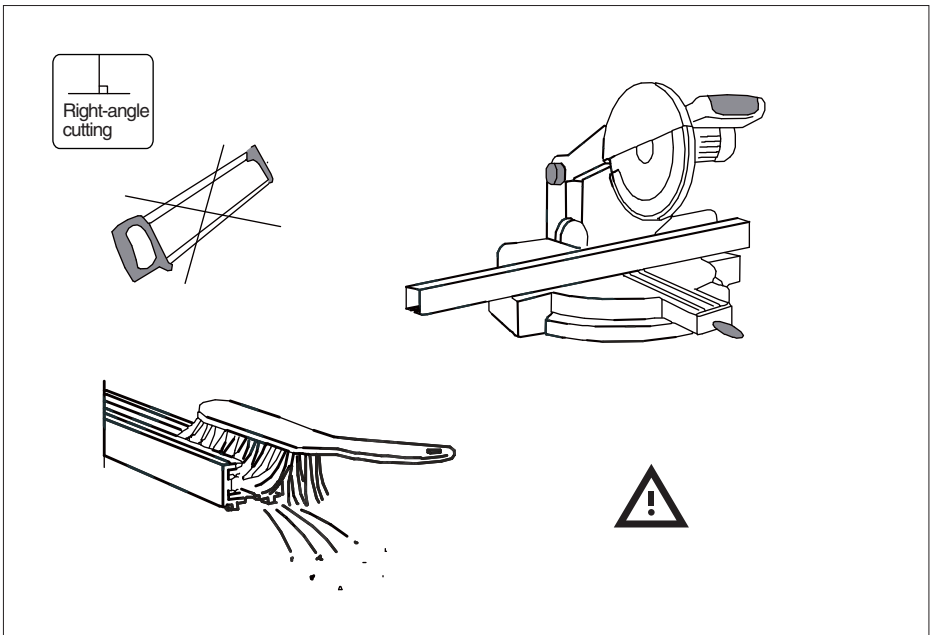
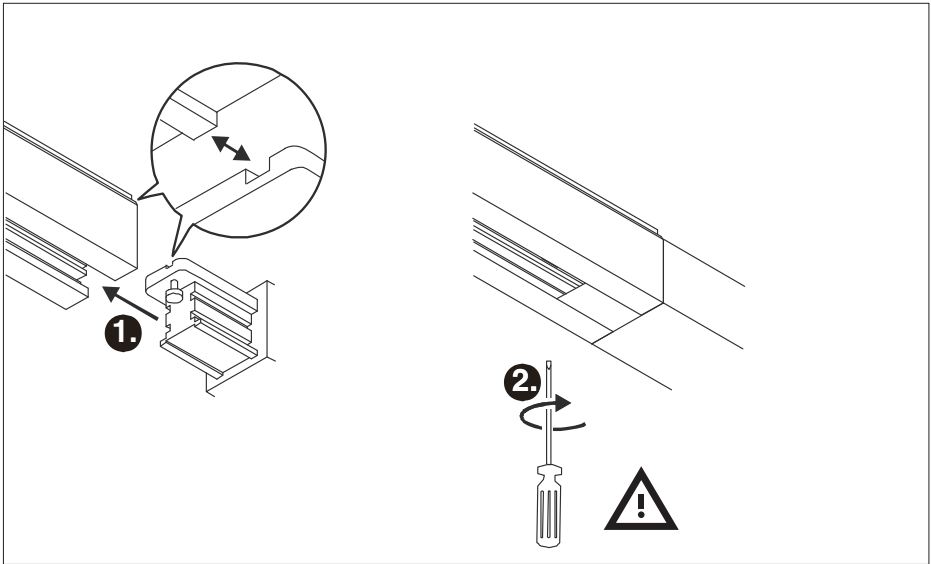


Pendant mounting Installation

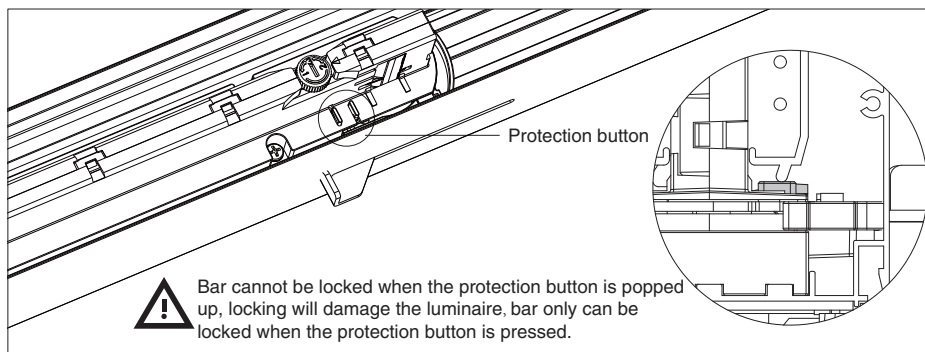
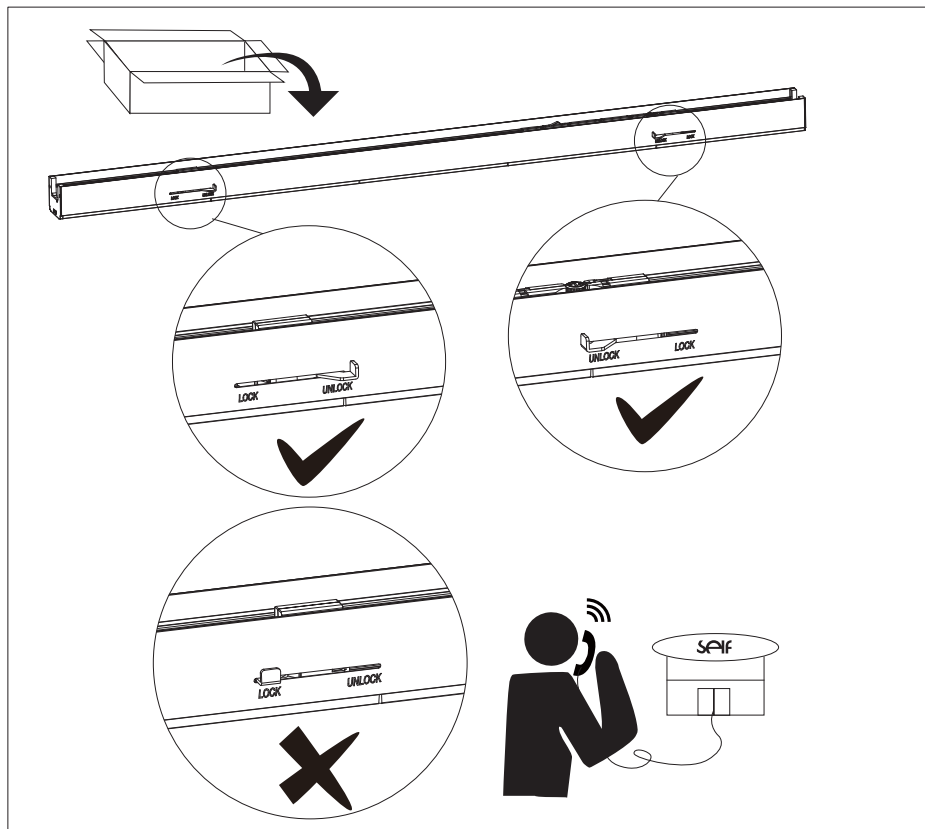


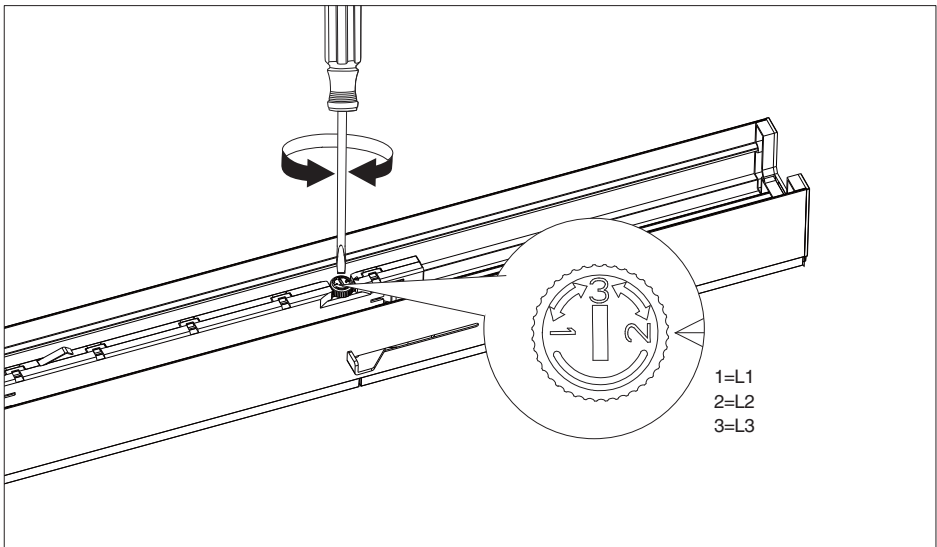
Pendant mounting Installation



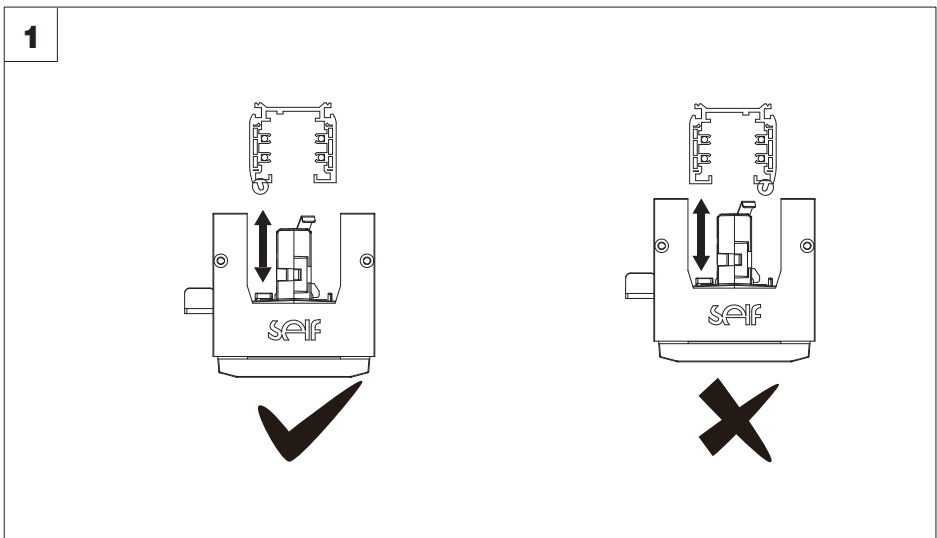


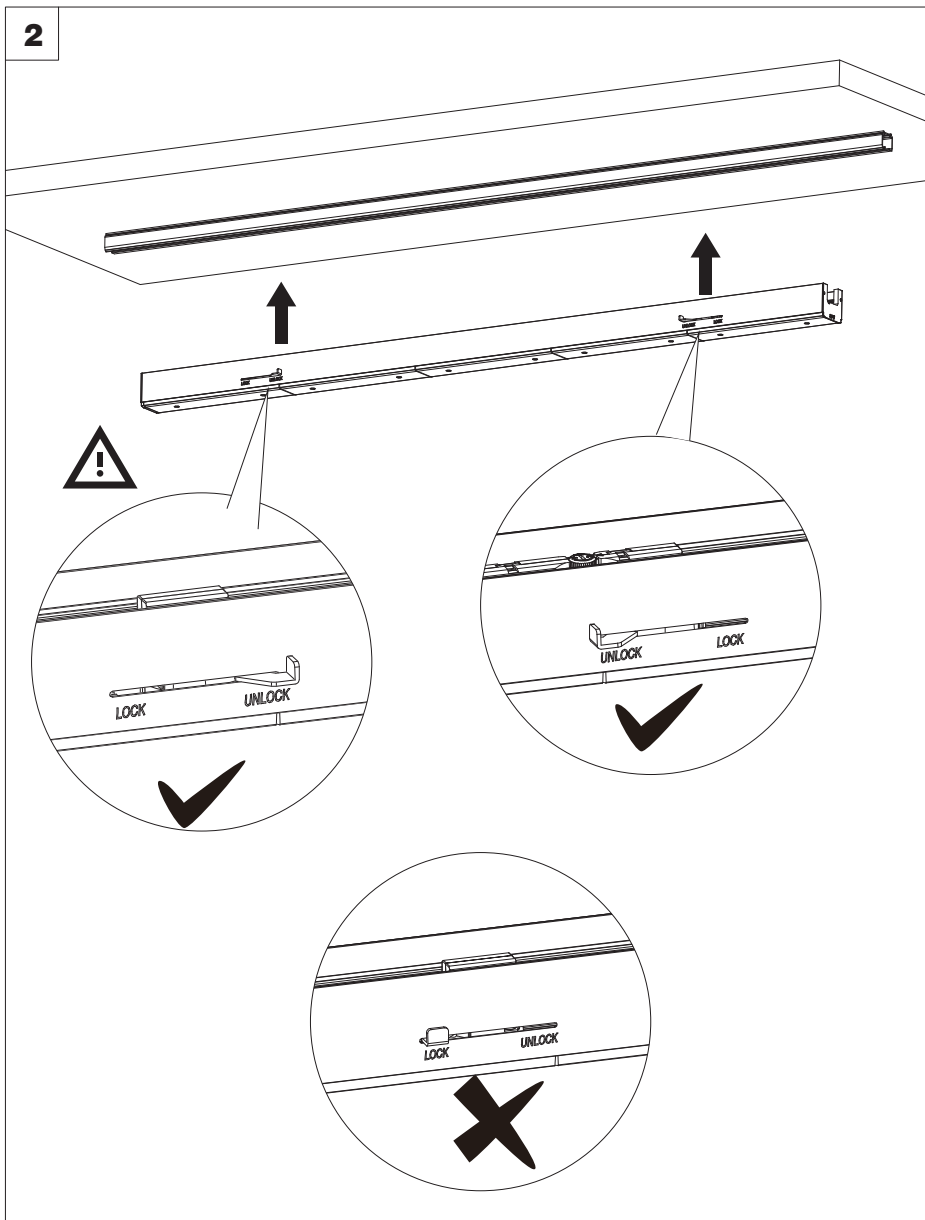
ⓘ Luminaire Installation

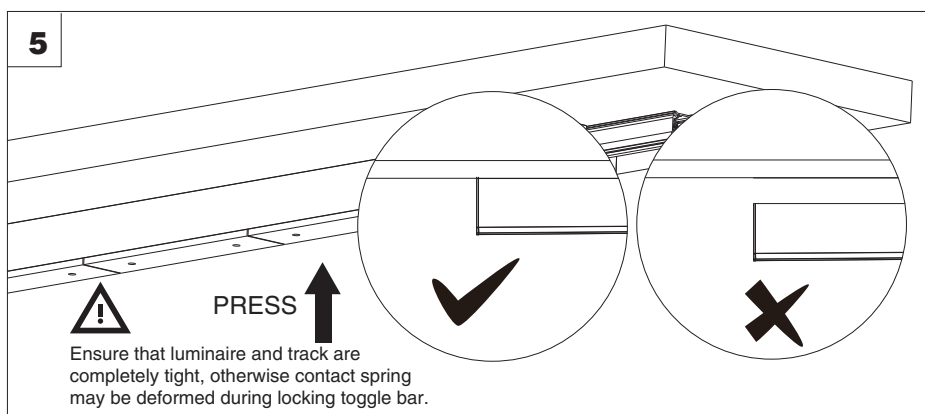
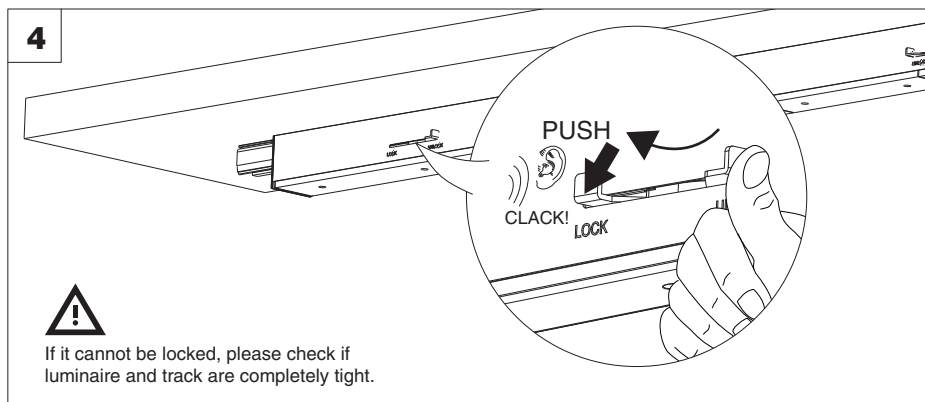
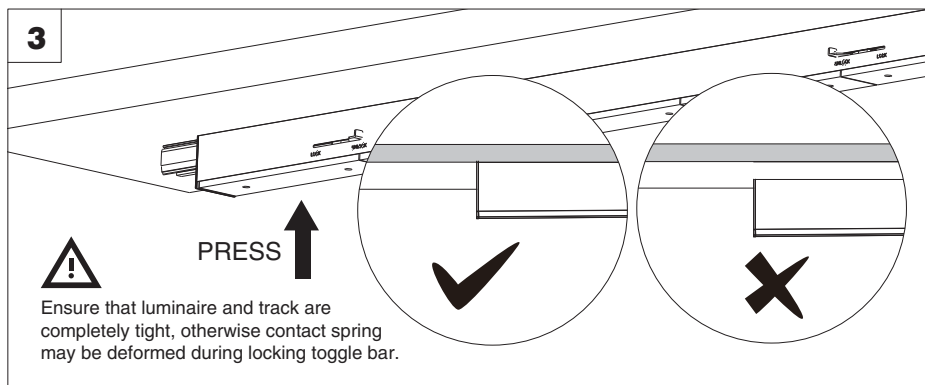


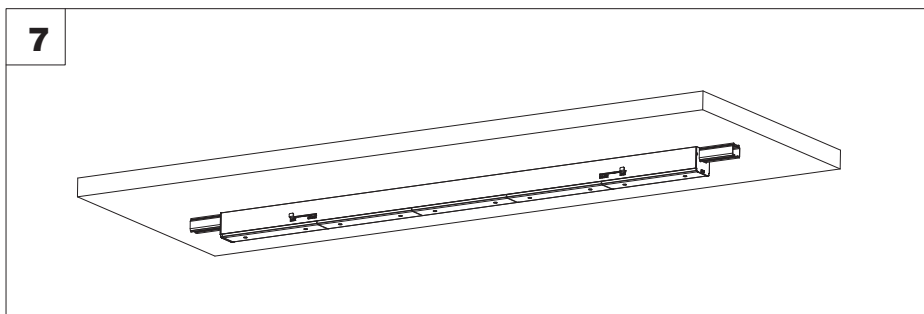
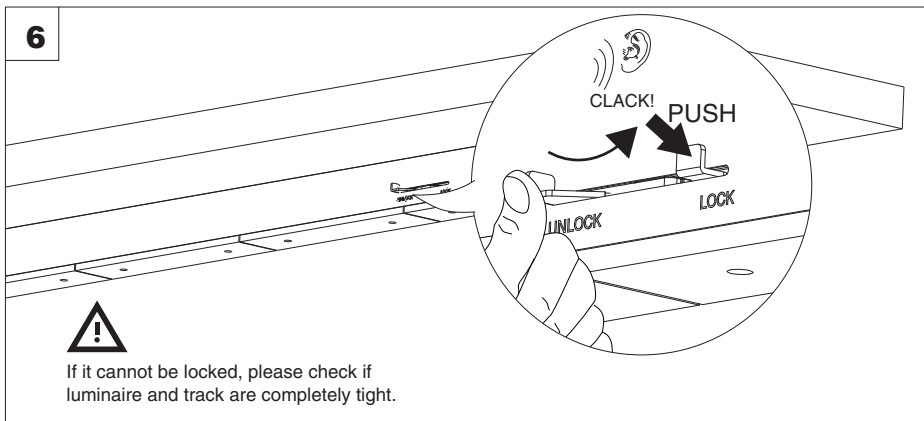


i Surface mounting Installation

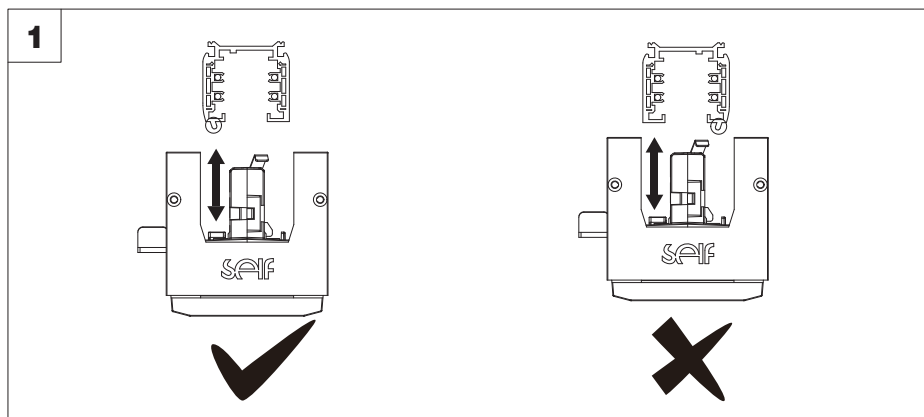


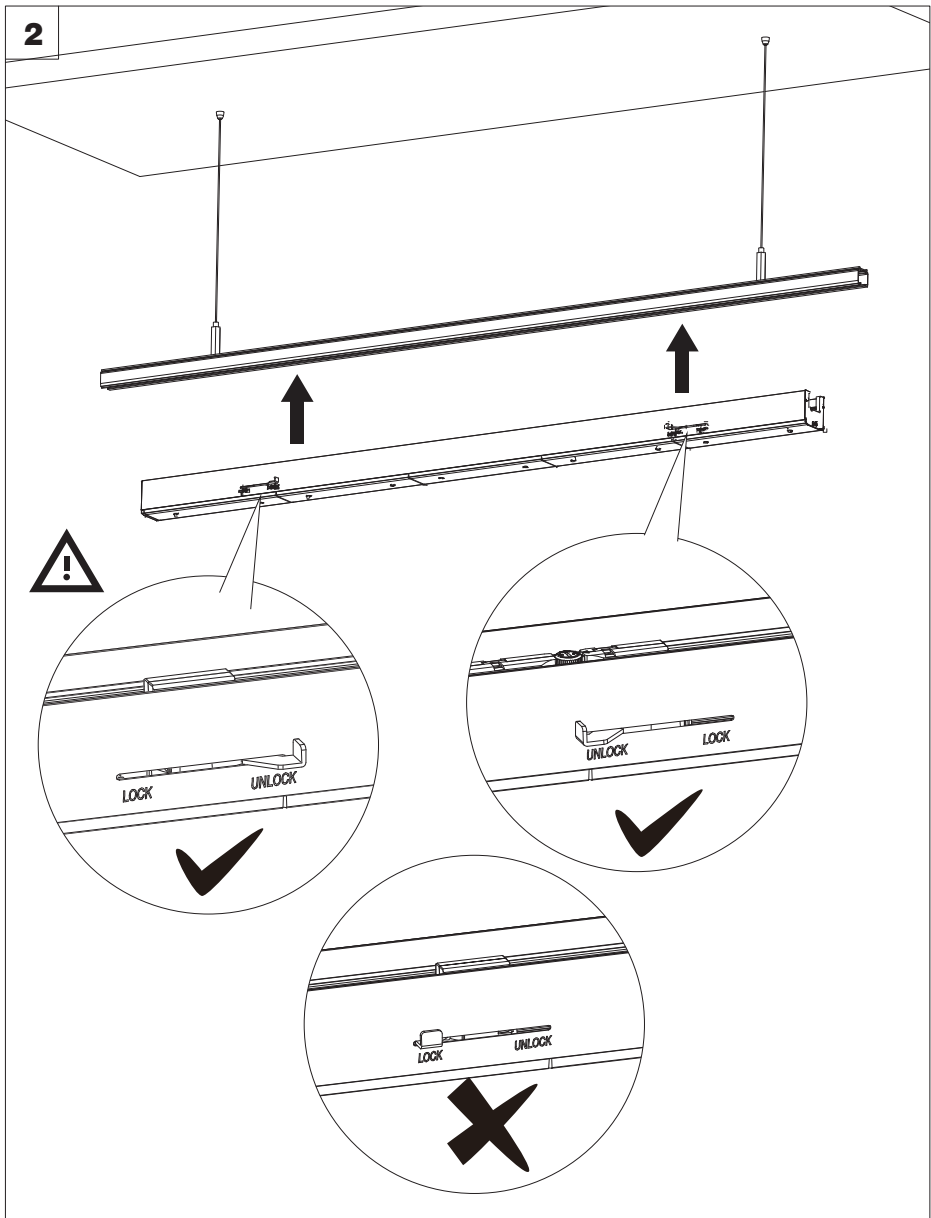


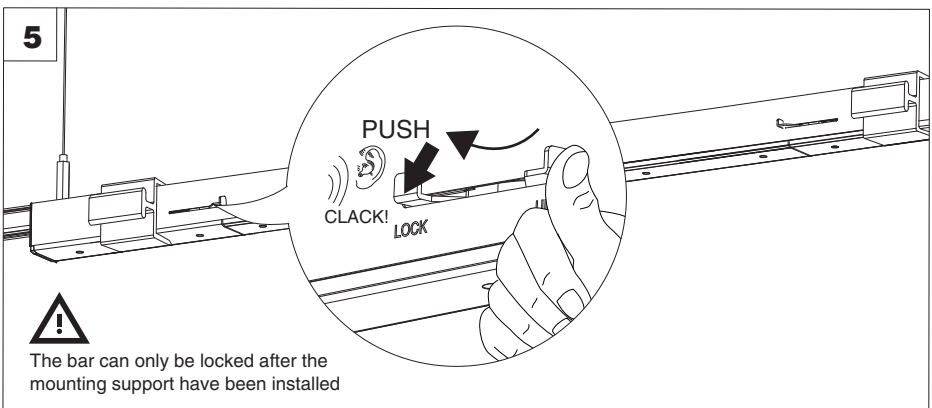
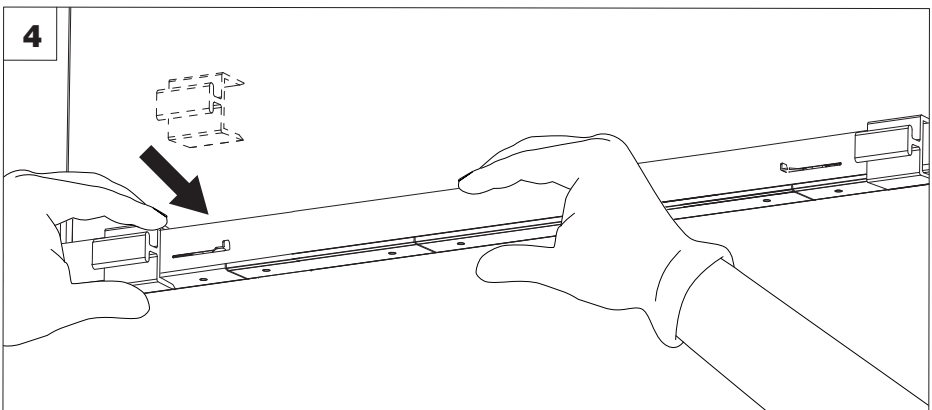
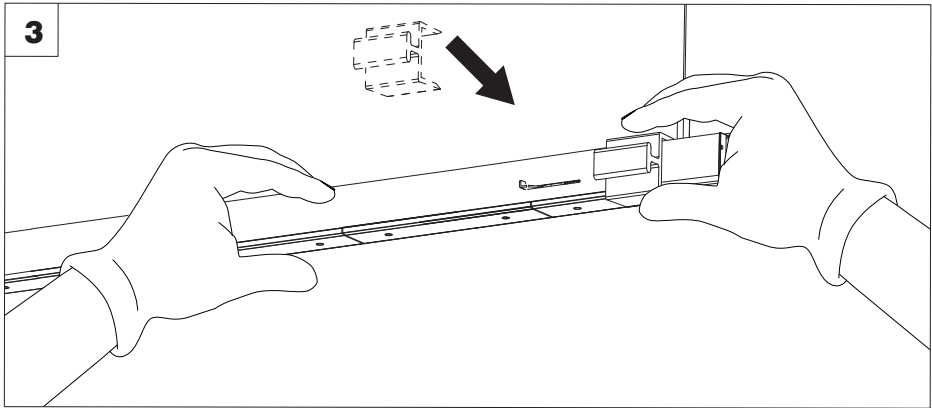


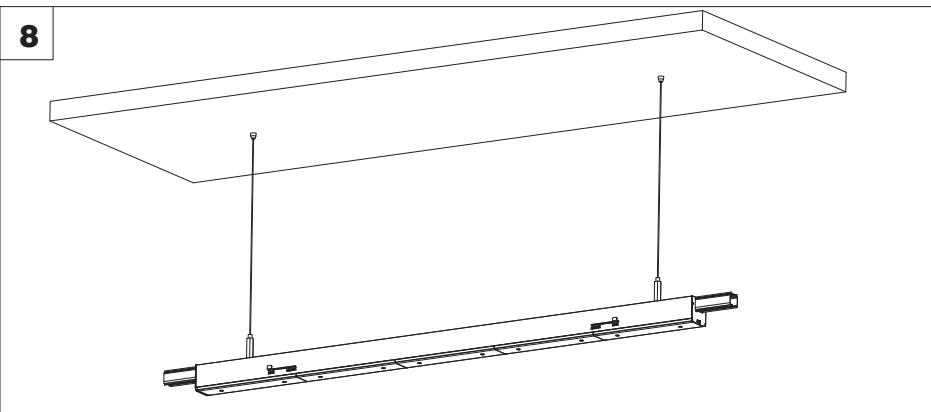
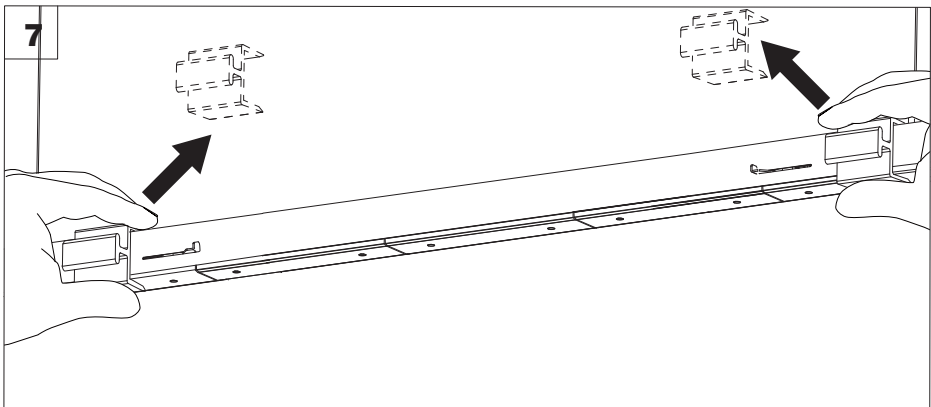
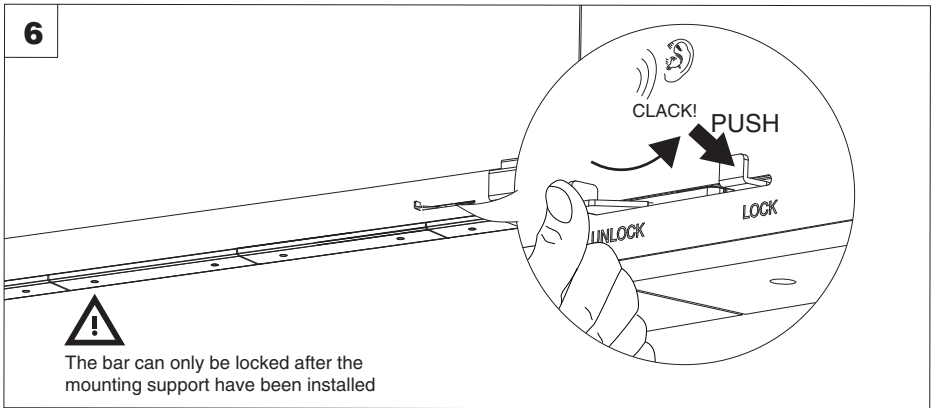


Pendant mounting Installation

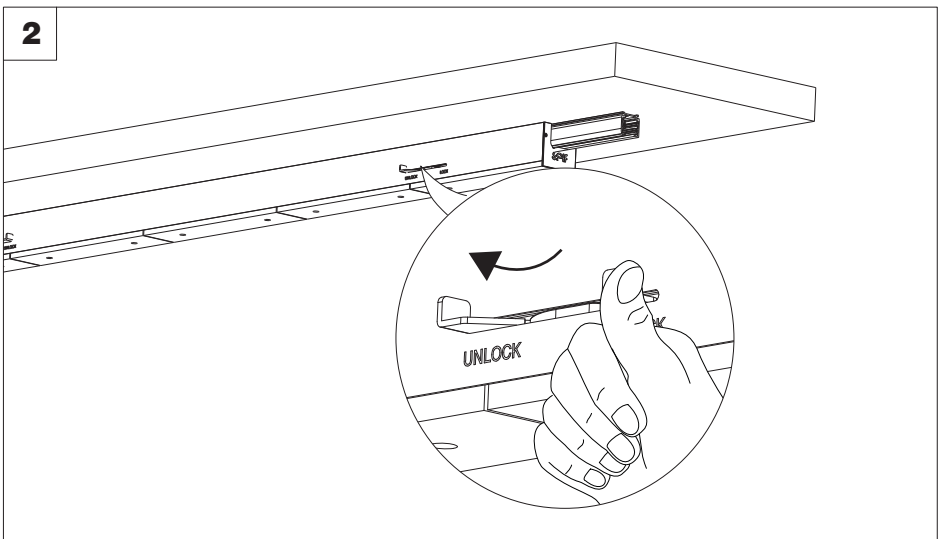
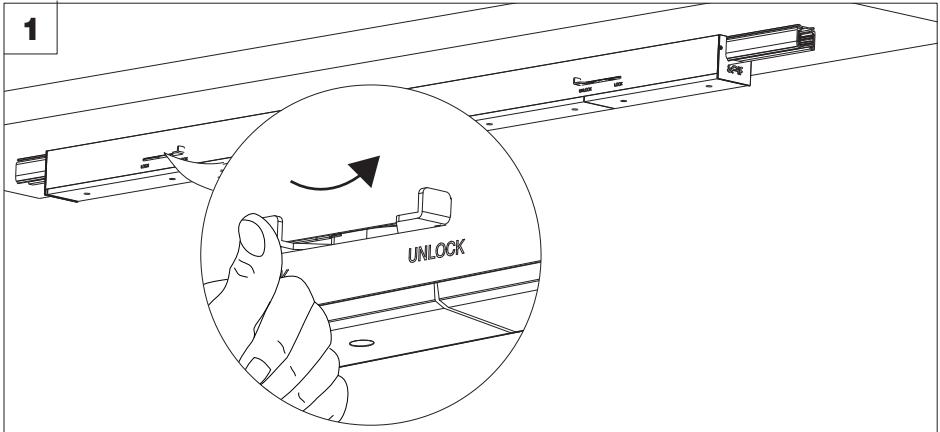




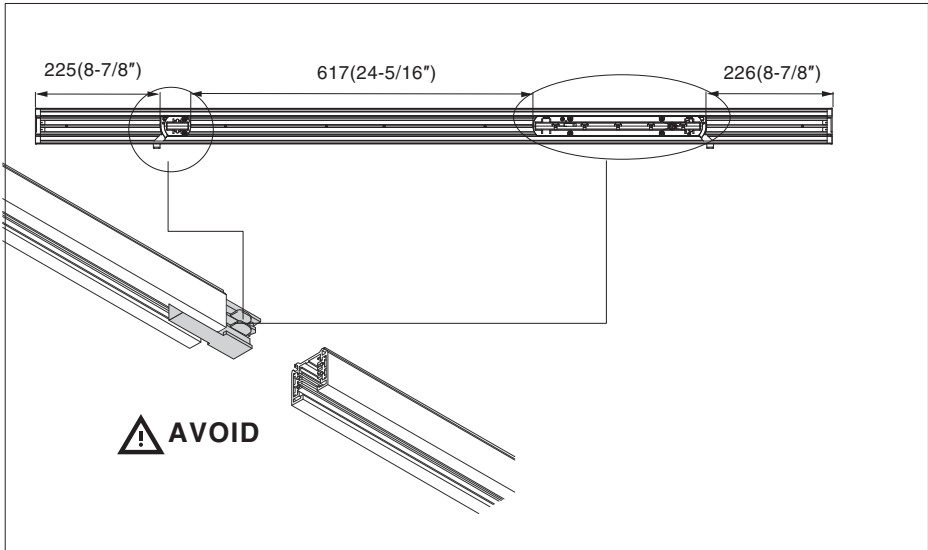




i Disassemble

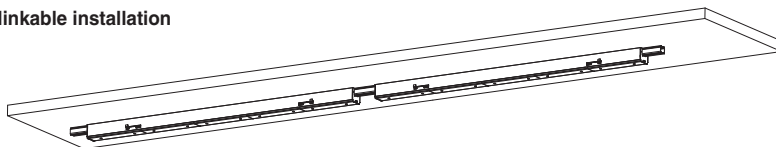


 **ATTENTIONS**

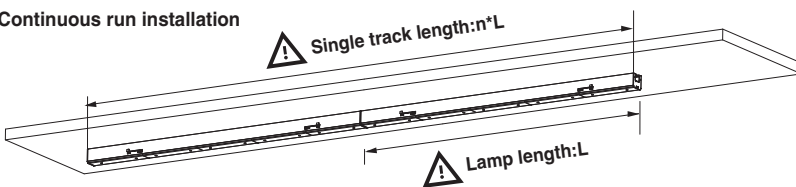


i Linkable

linkable installation



Continuous run installation



| Model | Surge | Input current | | Miniature circuit breaker type | | | | | | | |
|--------------------------|-----------|---------------|--------------|--------------------------------|-----|-----|-----|-----|-----|-----|-----|
| | | Input current | Max Linkable | B10 | B13 | B16 | B20 | C10 | C13 | C16 | C20 |
| EVEREST LO-L1450-220V | 30A/200uS | | 0.175A | 14 | 18 | 22 | 28 | 22 | 28 | 37 | 47 |
| EVEREST MO-L1450-220V | 30A/200uS | | 0.245A | 14 | 18 | 22 | 28 | 22 | 28 | 37 | 47 |
| EVEREST LO-L1450-220V-D | 30A/200uS | | 0.175A | 14 | 18 | 22 | 28 | 22 | 28 | 37 | 47 |
| EVEREST MO-L1450-220V-D | 30A/200uS | | 0.245A | 14 | 18 | 22 | 28 | 22 | 28 | 37 | 47 |
| EVEREST HO-L1450-220V-L | 56A/120uS | | 0.375A | 12 | 15 | 18 | 24 | 18 | 24 | 30 | 36 |
| EVEREST HO-L1450-220V-DL | 56A/120uS | | 0.375A | 12 | 15 | 18 | 24 | 18 | 24 | 30 | 36 |
| EVEREST LO-L1450-220V-R | 30A/200uS | | 0.175A | 14 | 18 | 22 | 28 | 22 | 28 | 37 | 47 |
| EVEREST MO-L1450-220V-R | 30A/200uS | | 0.245A | 14 | 18 | 22 | 28 | 22 | 28 | 37 | 47 |
| EVEREST LO-L1450-220V-DR | 30A/200uS | | 0.175A | 14 | 18 | 22 | 28 | 22 | 28 | 37 | 47 |
| EVEREST MO-L1450-220V-DR | 30A/200uS | | 0.245A | 14 | 18 | 22 | 28 | 22 | 28 | 37 | 47 |
| EVEREST LO-L1450-220V-M | 30A/200uS | | 0.175A | 14 | 18 | 22 | 28 | 22 | 28 | 37 | 47 |
| EVEREST MO-L1450-220V-M | 30A/200uS | | 0.245A | 14 | 18 | 22 | 28 | 22 | 28 | 37 | 47 |
| EVEREST LO-L1450-220V-DM | 30A/200uS | | 0.175A | 14 | 18 | 22 | 28 | 22 | 28 | 37 | 47 |
| EVEREST MO-L1450-220V-DM | 30A/200uS | | 0.245A | 14 | 18 | 22 | 28 | 22 | 28 | 37 | 47 |

Maximum number of interconnections of different products.

16/06/2023

Manufacturer

SELF ELECTRONICS CO., LTD.

Add: No. 1345 JuXian Road, Hi-Tech Park, Ningbo, China 315103

Importer

SELF ELECTRONICS GERMANY GMBH

Add: August-Horch-Str. 7, 51149 Cologne

(For European market)

SELF LIGHTING TECHNOLOGY PTY., LTD.

Add: 31/3 Homelea Court, Rivervale, WA, 6103, Australia

(For Oceanian market)

SELF ELECTRONICS USA CORP.

Add: 3264 Saturn Ct, Peachtree Corners, GA 30092

(For North American market)

SELF ELECTRONICS MIDDLE EAST DMCC

Add: Unit No. 1299, DMCC Business Centre Level No 1 Jewellery & Gemplex 3, Dubai, United Arab Emirates

(For Middle Eastern market)