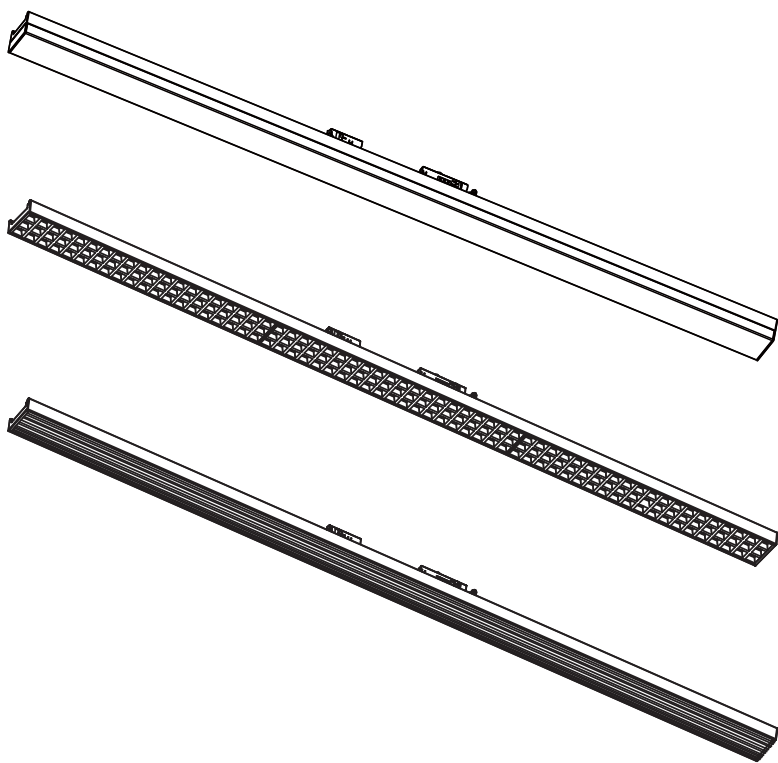


# EVEREST SLIM



**SAIF**

# Instruction Manual

## Series: EVEREST SLIM

Read these instructions completely and carefully.

### ⚠ ATTENTIONS

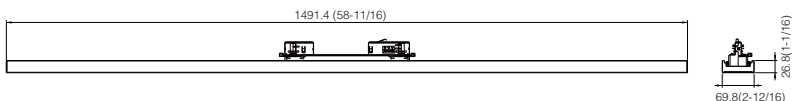
- Read the instruction carefully before installation, non-observance of this instruction may cause damage to the product or hurt to human body. The installation must be carried out by a qualified electrician in accordance with local or national codes.
- Cut off the power supply before installation or maintenance!
- Cut off the power supply before the electric wire connection for product first test.
- Regularly check the luminaire, the LED power supply, the cord and other accessories. Any constructive change of the product is not permitted. If any part is damaged, the product should not be used, please contact the manufacturer.
- Keep this instruction manual for future use.
- The light source of these luminaires are non-replaceable. When the light source reaches its end of life, the whole luminaire shall be replaced.
- Do not disassemble the product, as the light diode can cause damage to the eyes.
- Use only with class 2 power supply (For USA market)
- Supplied with SELV constant voltage LED driver with rated power < max. 200W> (For Europe market)
- Wasted PCB during transit, delivery, use and scrap disposal can cause certain environment damage. Please handle it according to "waste electronic products disposal rules" locally.
- The luminaire shall be mounted out of arm's reach. The recommended installation height shall be at 2,5 meter (above the ground).
- The insulation of DALI control terminal and power supply terminal conforms to Basic Insulation Level.

Lesen Sie diese Anweisungen vollständig und sorgfältig durch.

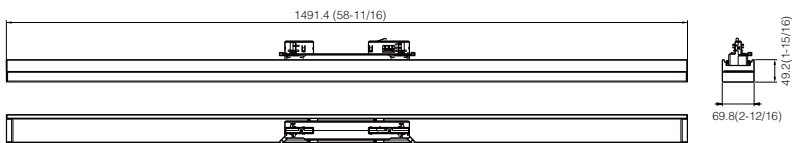
### ⚠ ACHTUNG

- Lesen Sie die Anweisungen sorgfältig vor der Installation durch. Bei Nichtbeachtung dieser Anweisung kann Schäden am Produkt oder Verletzungen am menschlichen Körper verursachen. Die Installation muss von einem qualifizierten Elektriker gemäß örtlichen oder nationalen Vorschriften durchgeführt werden.
- Schalten Sie die Stromversorgung vor der Installation und Wartung aus!
- Schalten Sie die Stromversorgung vor dem elektrischen Anschluss des Produkts für den ersten Test aus.
- Überprüfen Sie regelmäßig die Lichtquelle, das LED-Netzteil, das Kabel und andere Zubehörteile. Wenn ein Teil beschädigt ist, sollte das Produkt nicht verwendet werden.
- Bewahren Sie diese Bedienungsanleitung für zukünftige Verwendung auf.

### Dimensions: (inch/mm)

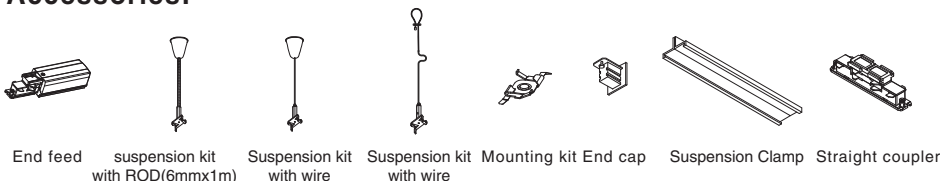


EVEREST SLIM xO-L1500-220V-FL  
 EVEREST SLIM xO-L1500-220V-DFL x:SH/H/M/L  
 EVEREST SLIM xO-L1500-220V-R  
 EVEREST SLIM xO-L1500-220V-DR x:M/L

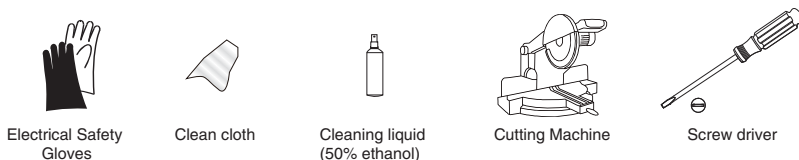


EVEREST SLIM xO-L1500-220V-M  
 EVEREST SLIM xO-L1500-220V-DM x:M/L

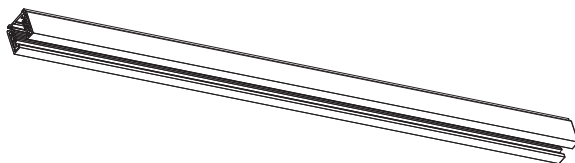
## Accessories:



## Tools



## **i** Track Installation

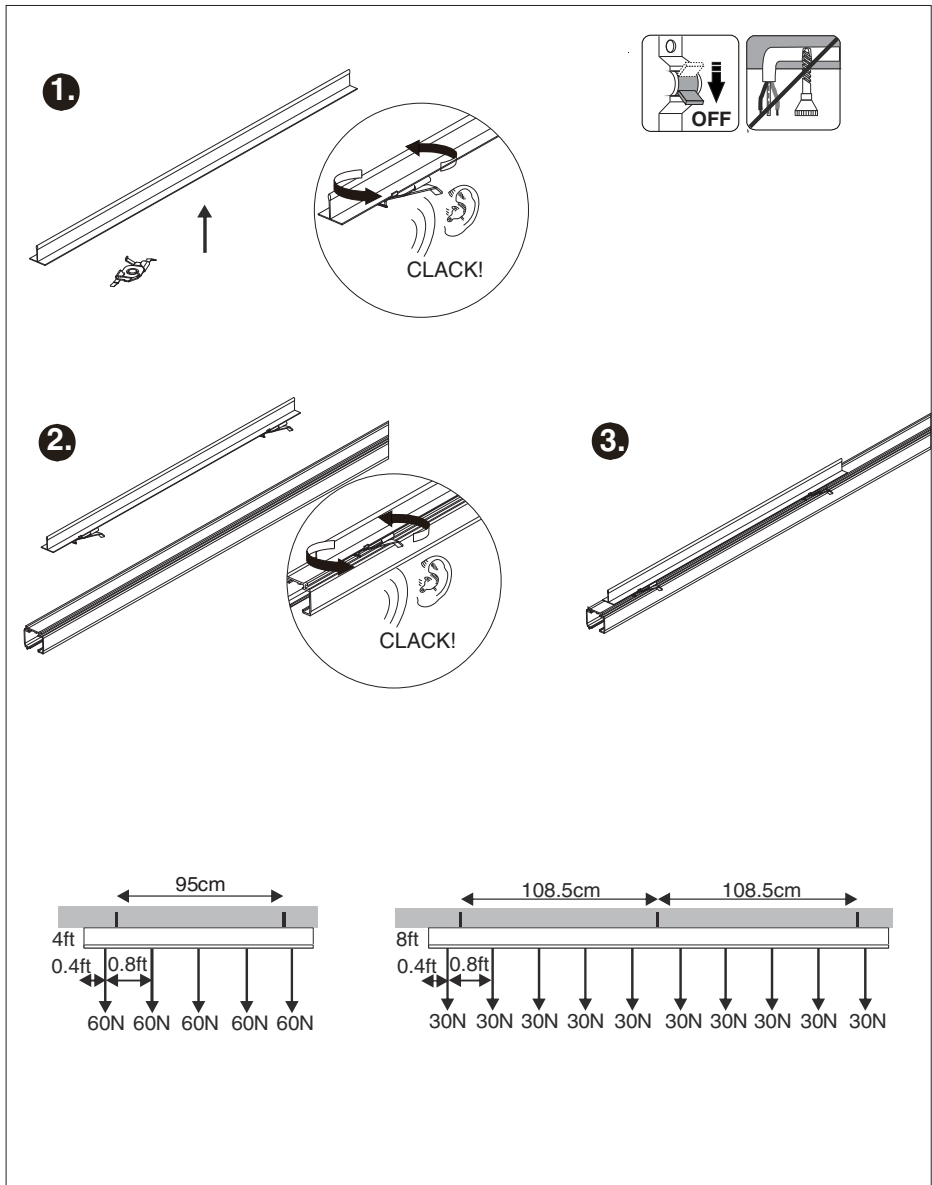


The following track system is recommended, for other brands, further application need to be tested, please contact our technicians.

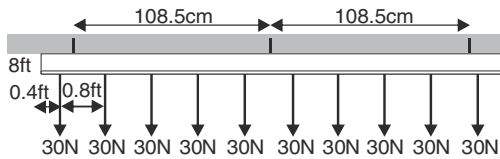
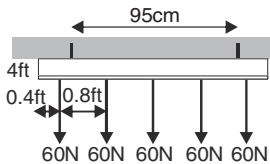
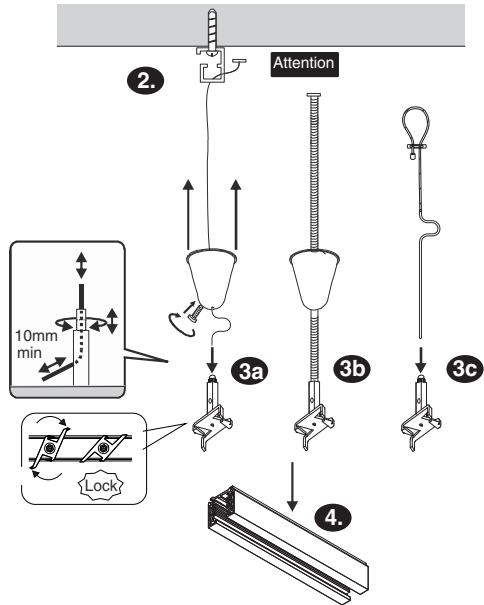
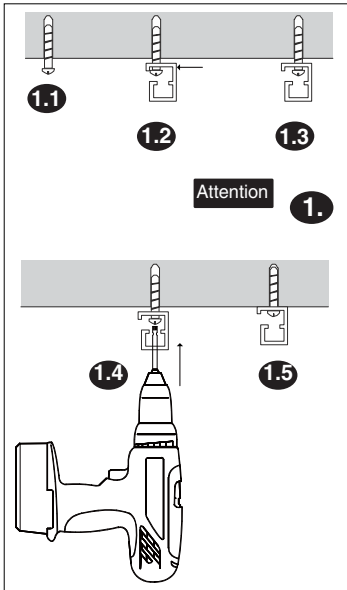
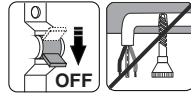
Model	TRACK BRAND	TRACK MODEL NUMBER
EVEREST SLIM LO-L1500-220V-FL EVEREST SLIM MO-L1500-220V-FL EVEREST SLIM HO-L1500-220V-FL EVEREST SLIM SHO-L1500-220V-FL EVEREST SLIM LO-L1500-220V-R EVEREST SLIM MO-L1500-220V-R EVEREST SLIM LO-L1500-220V-M EVEREST SLIM MO-L1500-220V-M	GLOBAL	XTSC-4 SERIES
	POWER GEAR	PRO-04 SERIES
EVEREST SLIM LO-L1500-220V-DFL EVEREST SLIM MO-L1500-220V-DFL EVEREST SLIM HO-L1500-220V-DFL EVEREST SLIM SHO-L1500-220V-DFL EVEREST SLIM LO-L1500-220V-DR EVEREST SLIM MO-L1500-220V-DR EVEREST SLIM LO-L1500-220V-DM EVEREST SLIM MO-L1500-220V-DM	GLOBAL	XTSC-6 SERIES
	POWER GEAR	PRO-06 SERIES

\* Track upgrade may affect the installation of EVEREST, subject to the actual assembly.

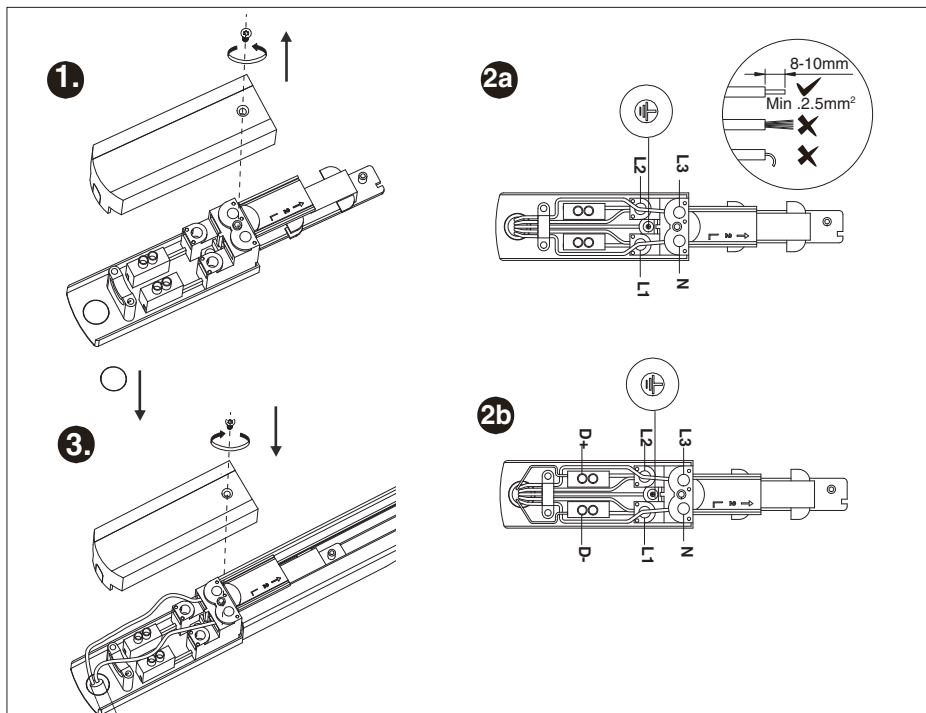
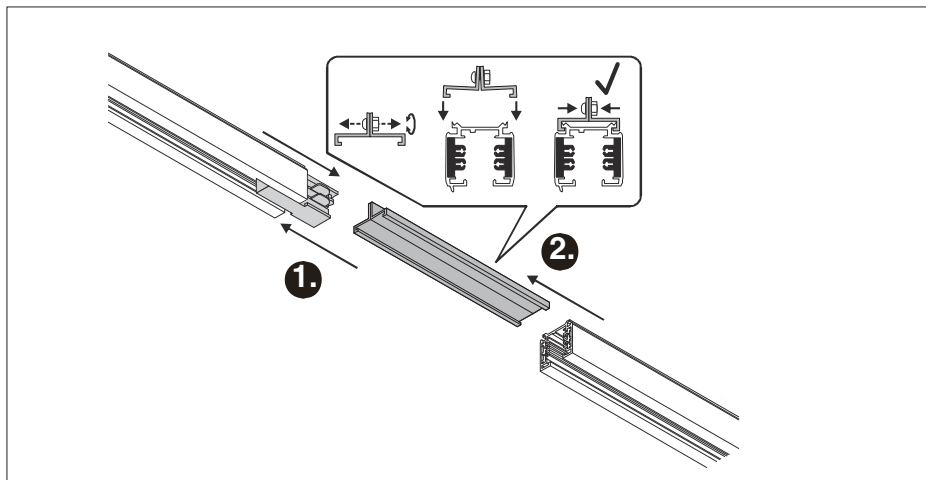
### Surface mounting Installation

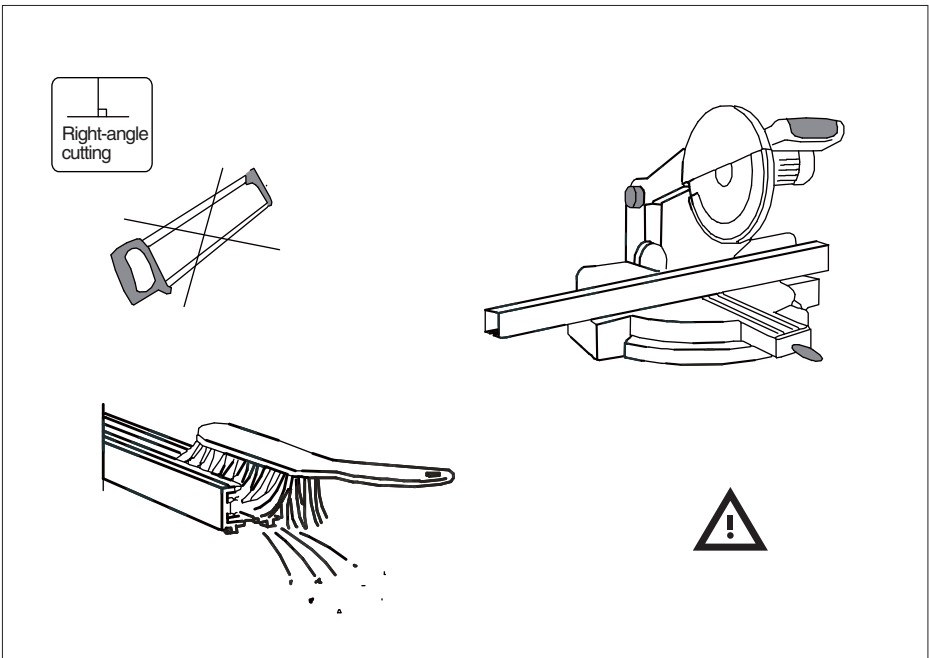
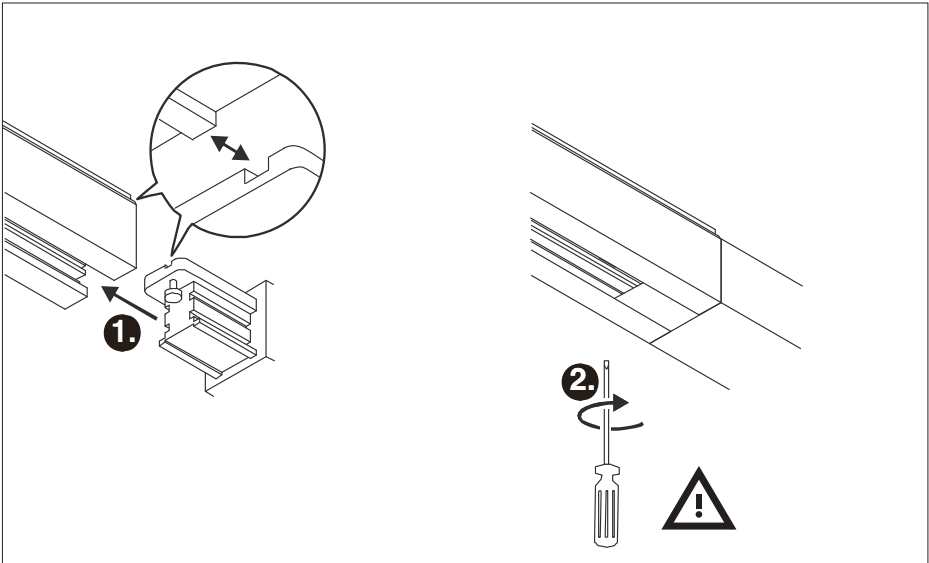


### Pendant mounting Installation

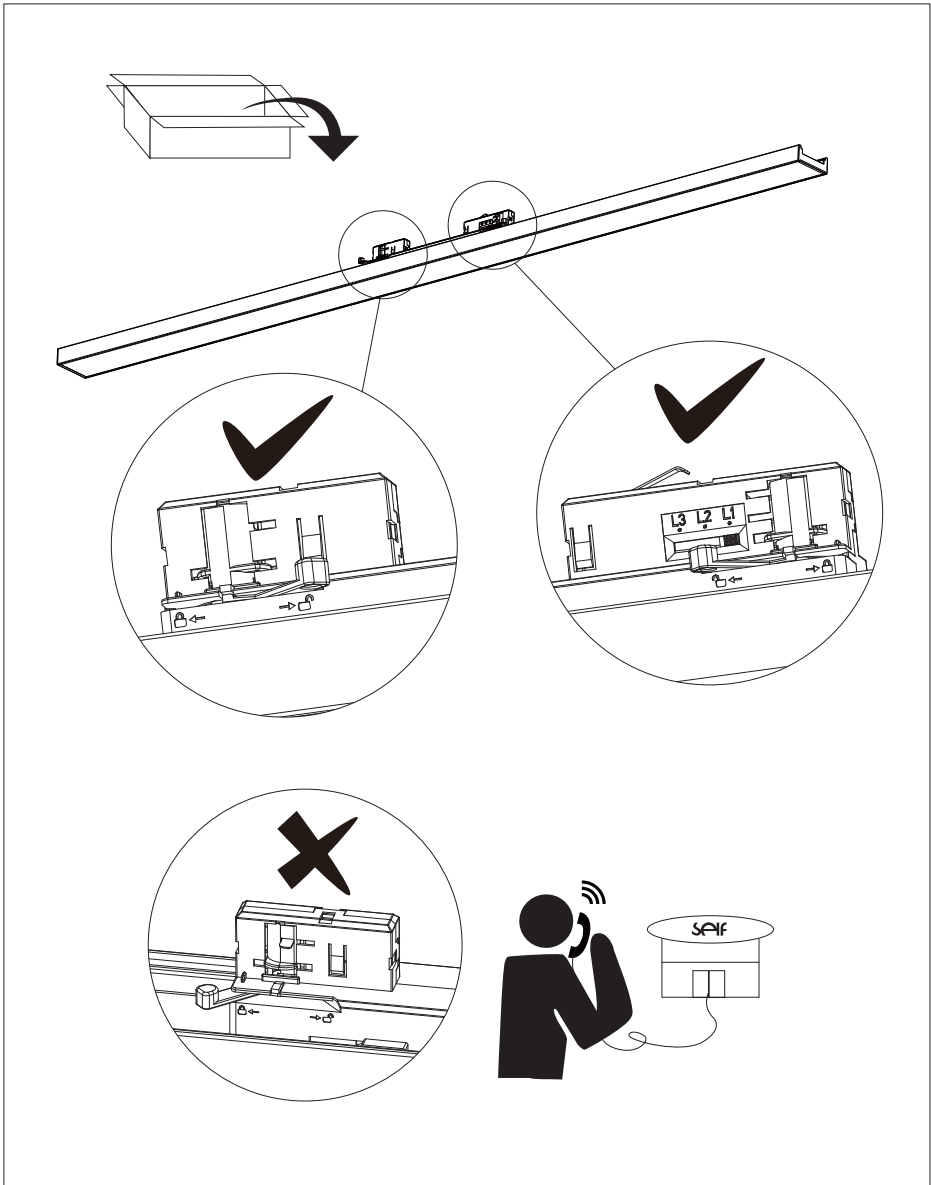


### Pendant mounting Installation

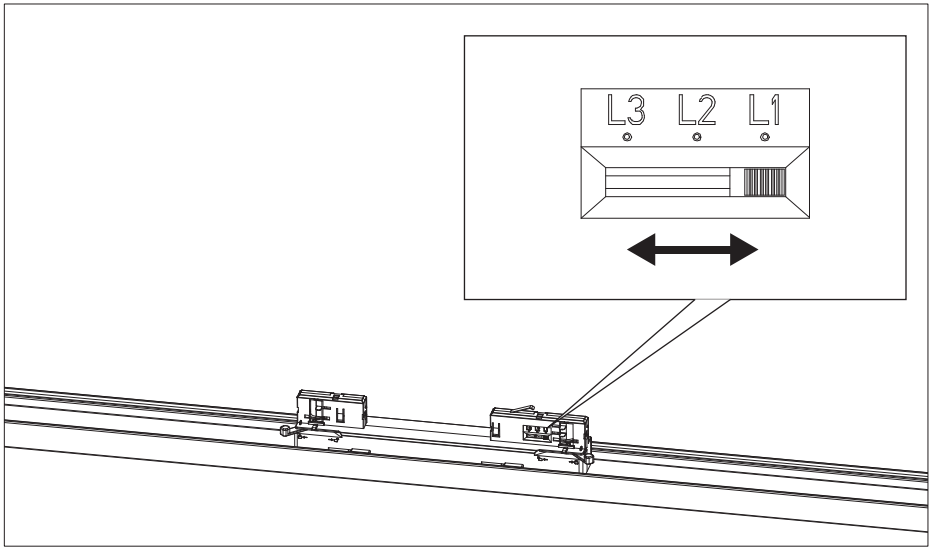




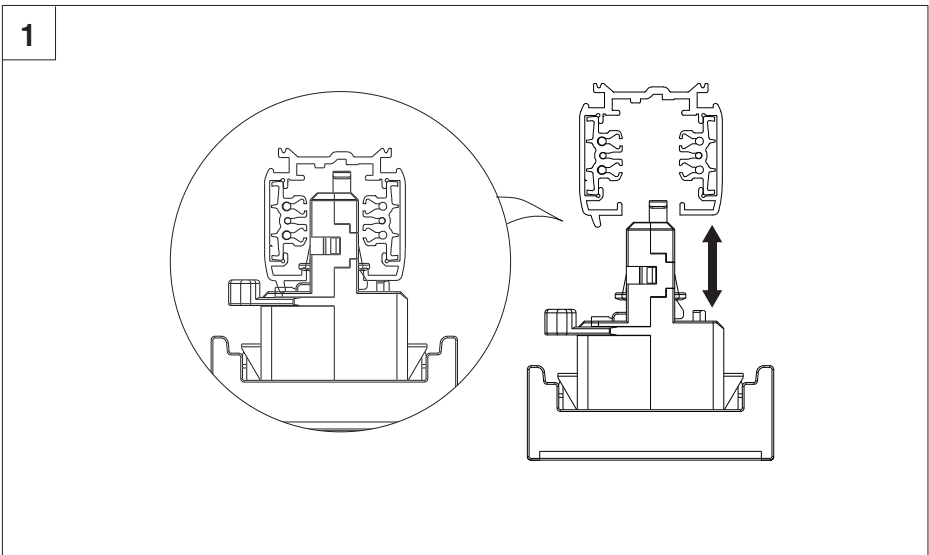
## **i** Luminaire Installation

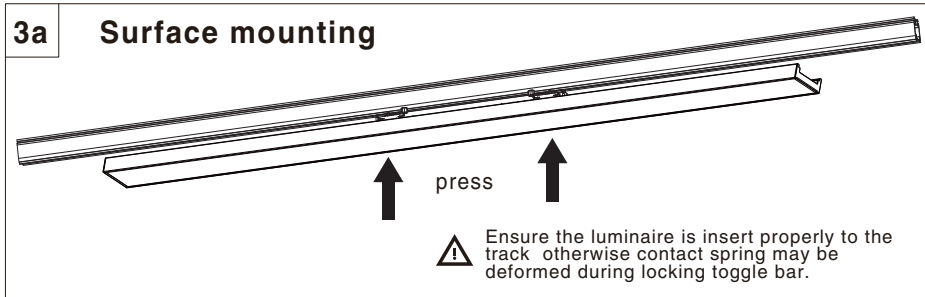
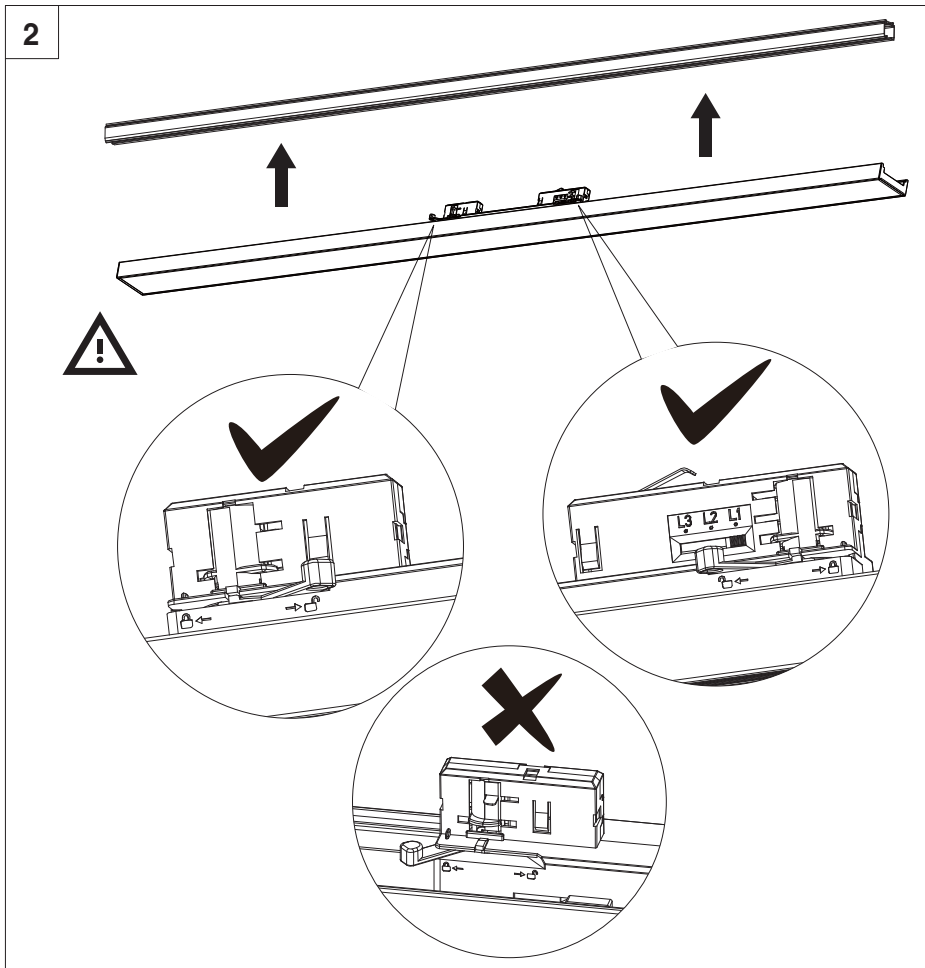




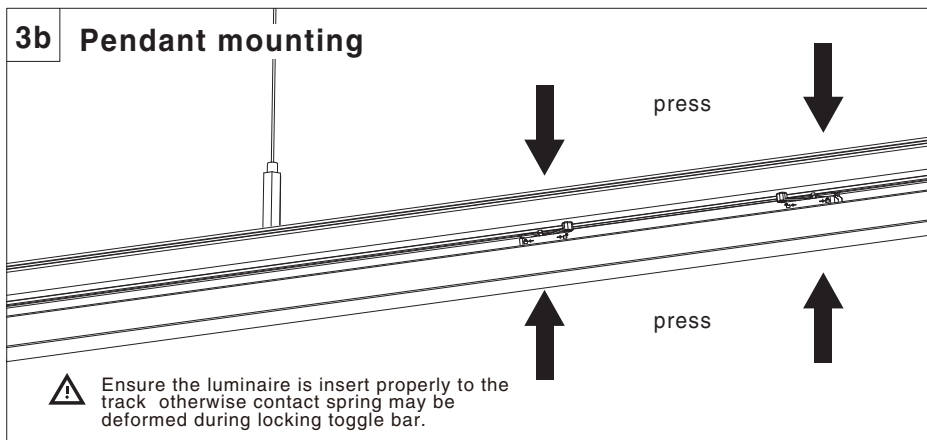


## **i** Installation

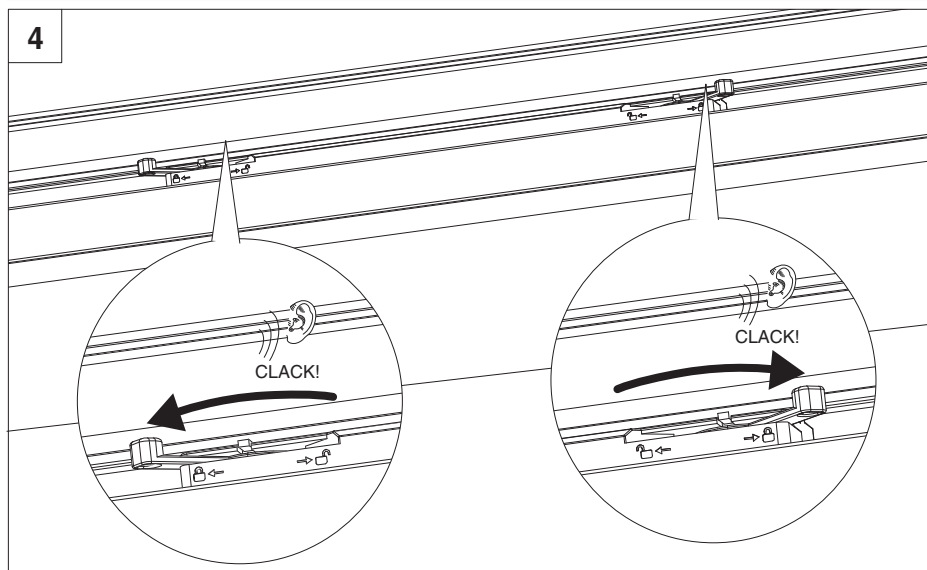




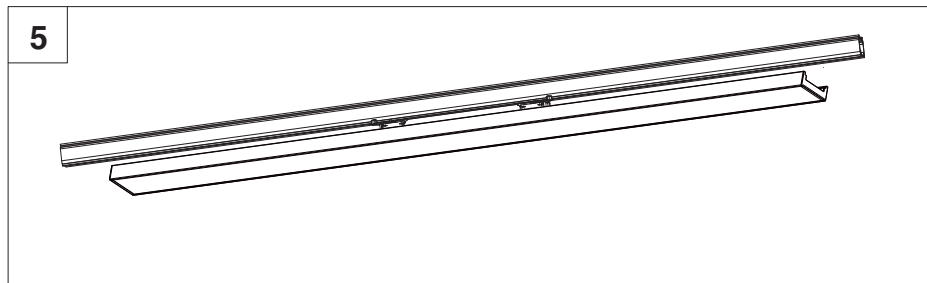
### 3b Pendant mounting



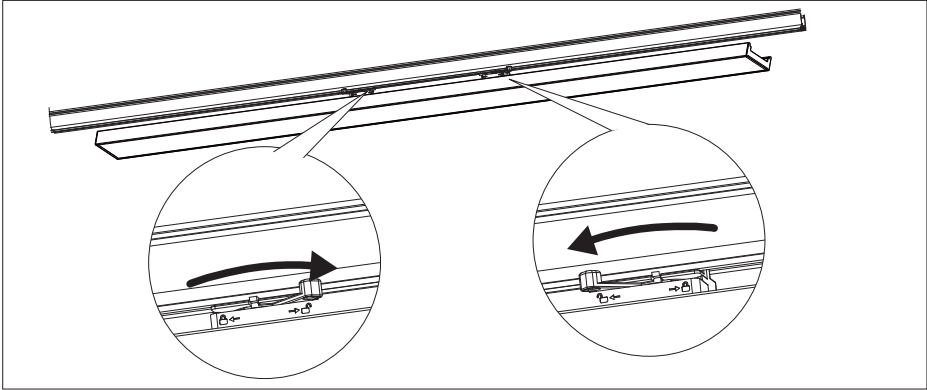
4



5



**i Disassemble**



**i Max. number of interconnections of products**

Model	Surge	Miniature circuit breaker type									
		Input current	Max Linkable	B10	B13	B16	B20	C10	C13	C16	C20
EVEREST SLIM LO-L1500-220V-FL	30A/200uS	0.15A	13	17	21	26	21	27	35	43	
EVEREST SLIM LO-L1500-220V-DFL	30A/200uS	0.15A	13	17	21	26	21	27	35	43	
EVEREST SLIM MO-L1500-220V-FL	50A/200uS	0.25A	8	11	15	18	15	20	25	31	
EVEREST SLIM MO-L1500-220V-DFL	50A/200uS	0.25A	8	11	15	18	15	20	25	31	
EVEREST SLIM HO-L1500-220V-FL	50A/200uS	0.25A	8	11	15	18	15	20	25	31	
EVEREST SLIM HO-L1500-220V-DFL	50A/200uS	0.25A	8	11	15	18	15	20	25	31	
EVEREST SLIM SHO-L1500-220V-FL	50A/200uS	0.25A	8	11	15	18	15	20	25	31	
EVEREST SLIM SHO-L1500-220V-DFL	50A/200uS	0.25A	8	11	15	18	15	20	25	31	
EVEREST SLIM LO-L1500-220V-R	30A/200uS	0.15A	13	17	21	26	21	27	35	43	
EVEREST SLIM LO-L1500-220V-DR	30A/200uS	0.15A	13	17	21	26	21	27	35	43	
EVEREST SLIM MO-L1500-220V-R	50A/200uS	0.25A	8	11	15	18	15	20	25	31	
EVEREST SLIM MO-L1500-220V-DR	50A/200uS	0.25A	8	11	15	18	15	20	25	31	
EVEREST SLIM LO-L1500-220V-M	30A/200uS	0.15A	13	17	21	26	21	27	35	43	
EVEREST SLIM LO-L1500-220V-DM	30A/200uS	0.15A	13	17	21	26	21	27	35	43	
EVEREST SLIM MO-L1500-220V-M	50A/200uS	0.25A	8	11	15	18	15	20	25	31	
EVEREST SLIM MO-L1500-220V-DM	50A/200uS	0.25A	8	11	15	18	15	20	25	31	

18/10/2023

**Manufacturer**

**SELF ELECTRONICS CO., LTD.**  
 Add: No. 1345 JuXian Road, Hi-Tech Park, Ningbo, China 315103

**Importer**

**SELF ELECTRONICS GERMANY GMBH**  
 Add: August-Horch-Str. 7, 51149 Cologne  
 ( For European market )

**SELF LIGHTING TECHNOLOGY PTY., LTD.**  
 Add: 31/3 Homelea Court, Rivervale, WA, 6103, Australia  
 ( For Oceanian market )

**SELF ELECTRONICS USA CORP.**  
 Add: 3264 Saturn Ct, Peachtree Corners, GA 30092  
 ( For North American market )

**SELF ELECTRONICS MIDDLE EAST DMCC**  
 Add: Unit No. 1299, DMCC Business Centre Level No 1 Jewellery & Gemplex 3, Dubai, United Arab Emirates  
 ( For Middle Eastern market )