

INSTRUCTION MANUAL

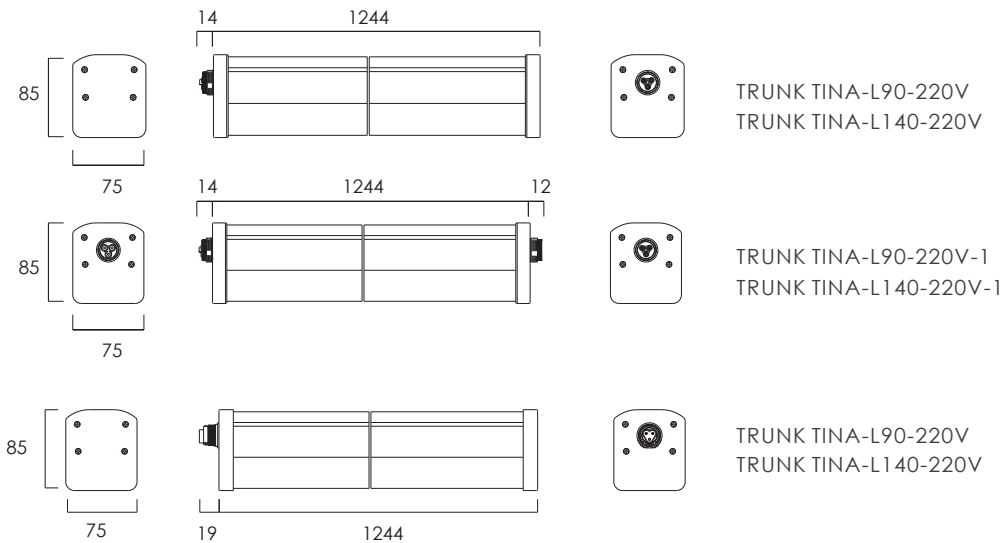
SERIES: TRUNK TINA

Read these instructions completely and carefully.

ATTENTIONS

- Read the instruction carefully before installation, non-observance of this instruction may cause damage to the product or hurt to human body. The installation must be carried out by a qualified electrician in accordance with local or national codes.
- Cut off the power supply before installation and maintenance !
- Regularly check the light source , the LED power supply, the cord and other accessories. If any part is damaged, the product should not be used.
- The product is only for indoor and dry location. Clean the product with a damped cloth (no dripping water), preferably anti-static.
- Do not stare into LED beam.
- product for Class I , the input line must have a ground wire.

Dimensions: (mm)

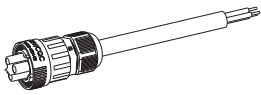


Specifications :

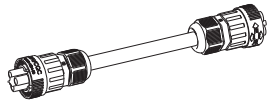
Model	Rated input	Freuquency	Power Facotor	Power	Length	ta	Max.Linkable(PCS)
TRUNK TINA-L90-220V	220~240VAC	50/60Hz	0.95	32W	1244mm	- 30~40 C	-
TRUNK TINA-L140-220V	220~240VAC	50/60Hz	0.95	52W	1244mm	- 30~40 C	-
TRUNK TINA-L90-220V-1	220~240VAC	50/60Hz	0.95	32W	1244mm	- 30~40 C	8
TRUNK TINA-L140-220V-1	220~240VAC	50/60Hz	0.95	52W	1244mm	- 30~40 C	8

CE IP65

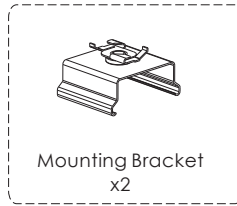
Accessories(optional):



Input cable

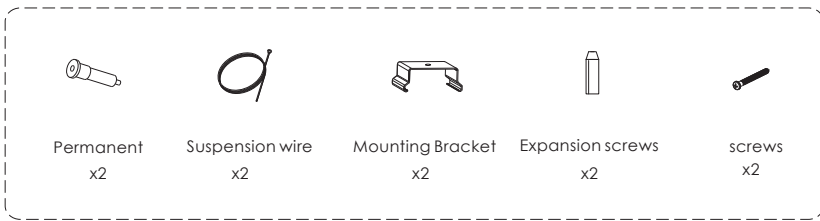


Connecting cable (optional)



Mounting Bracket
x2

Surface Installation



Suspended Installation

Tools:



ruler



pencil



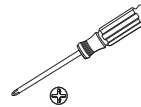
electrical safety
gloves



drill



Φ6mm(1/4")
Driller Bit

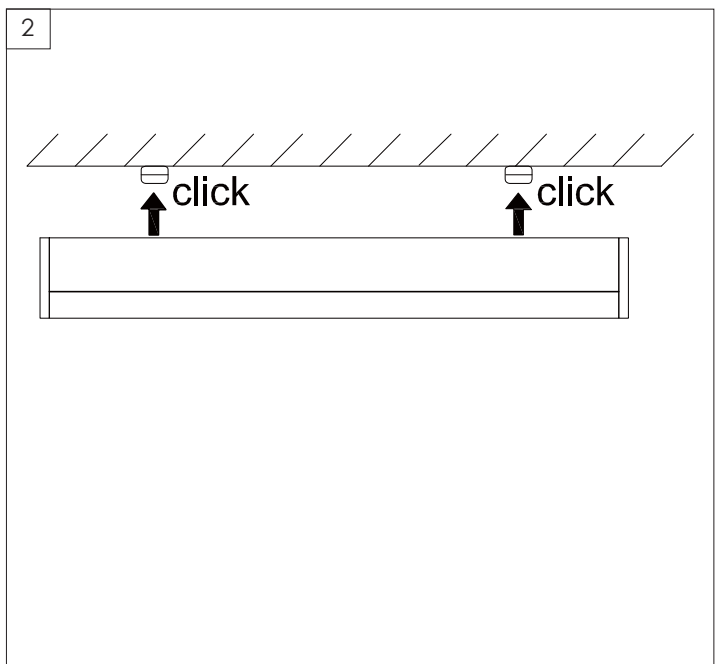
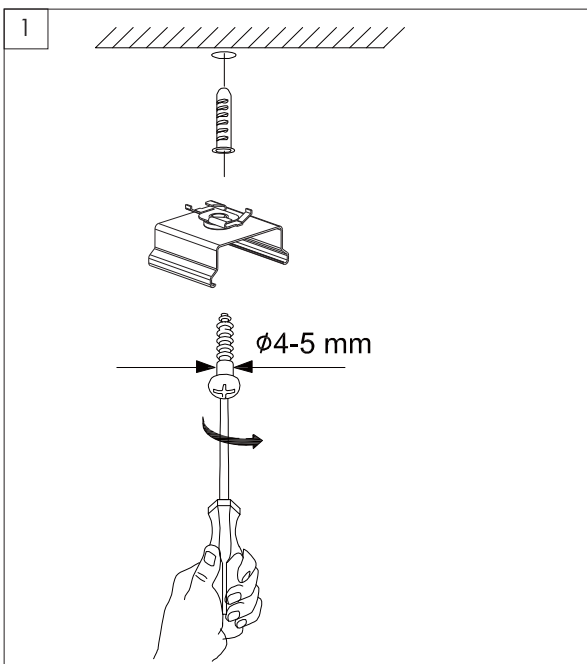


screwdriver

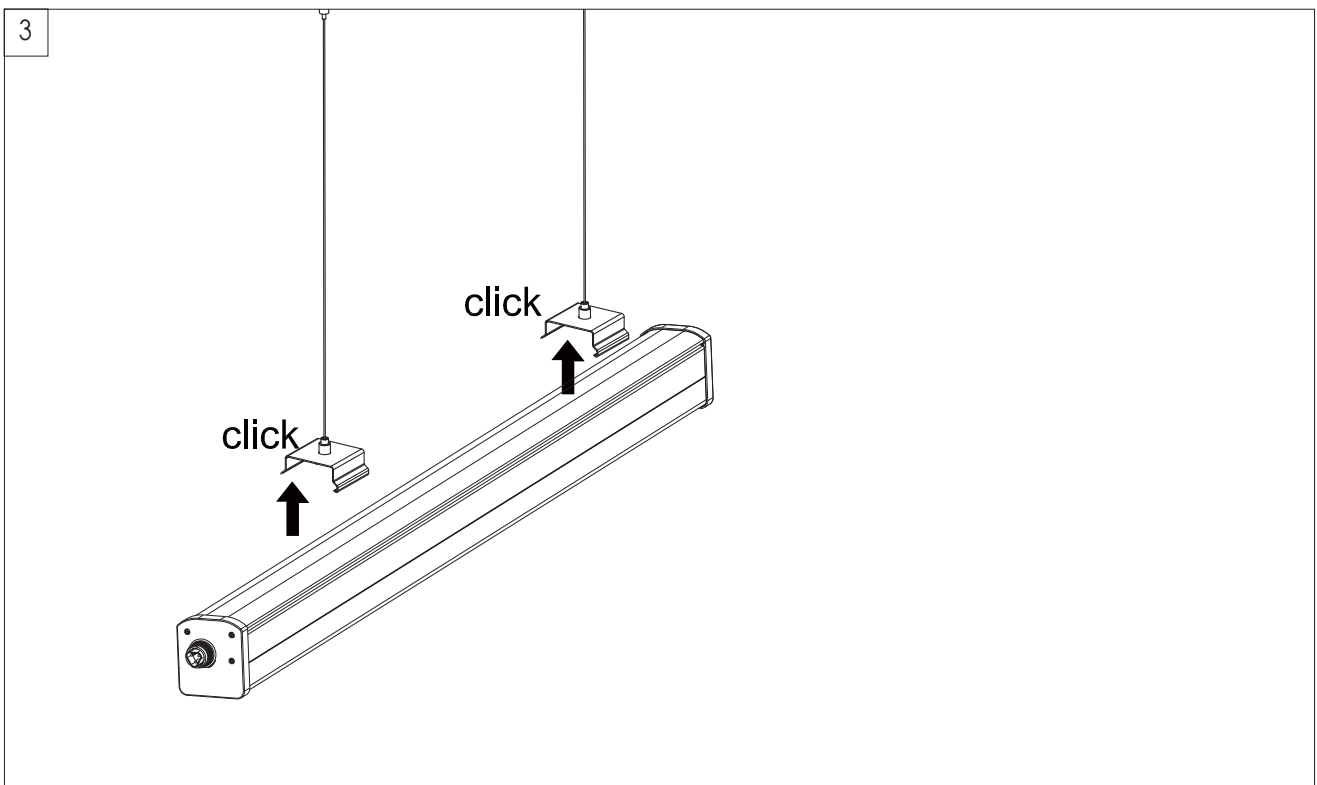
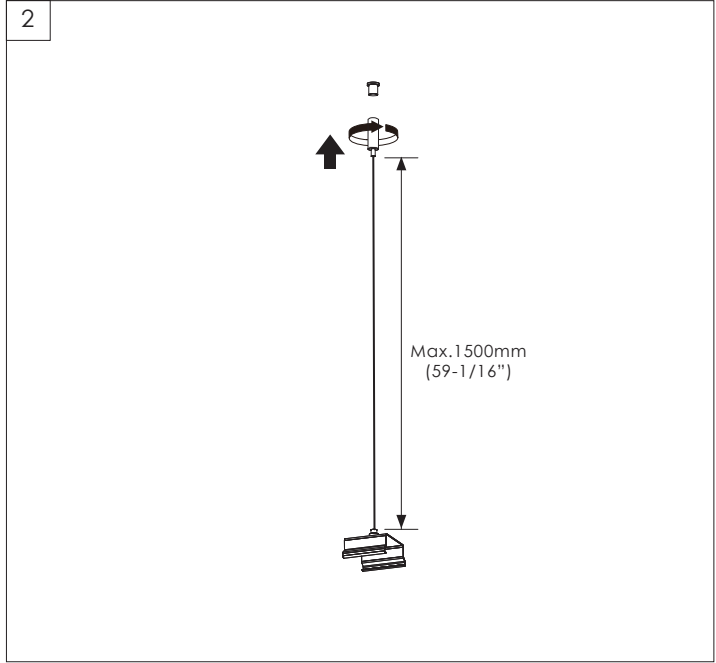
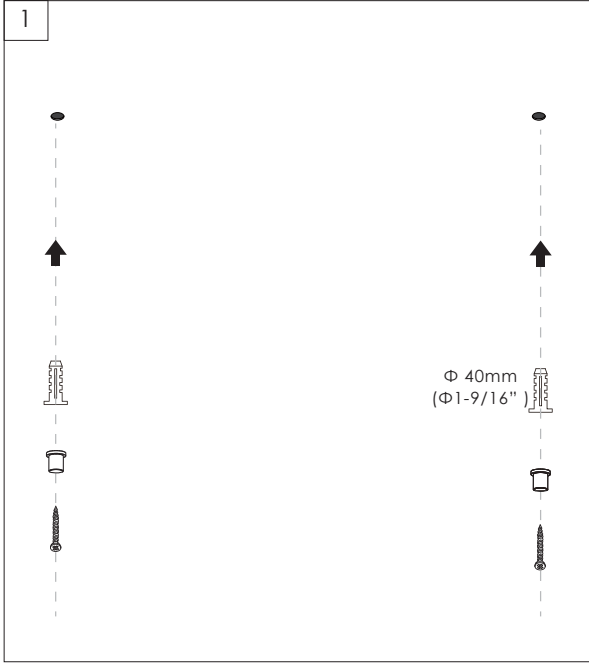


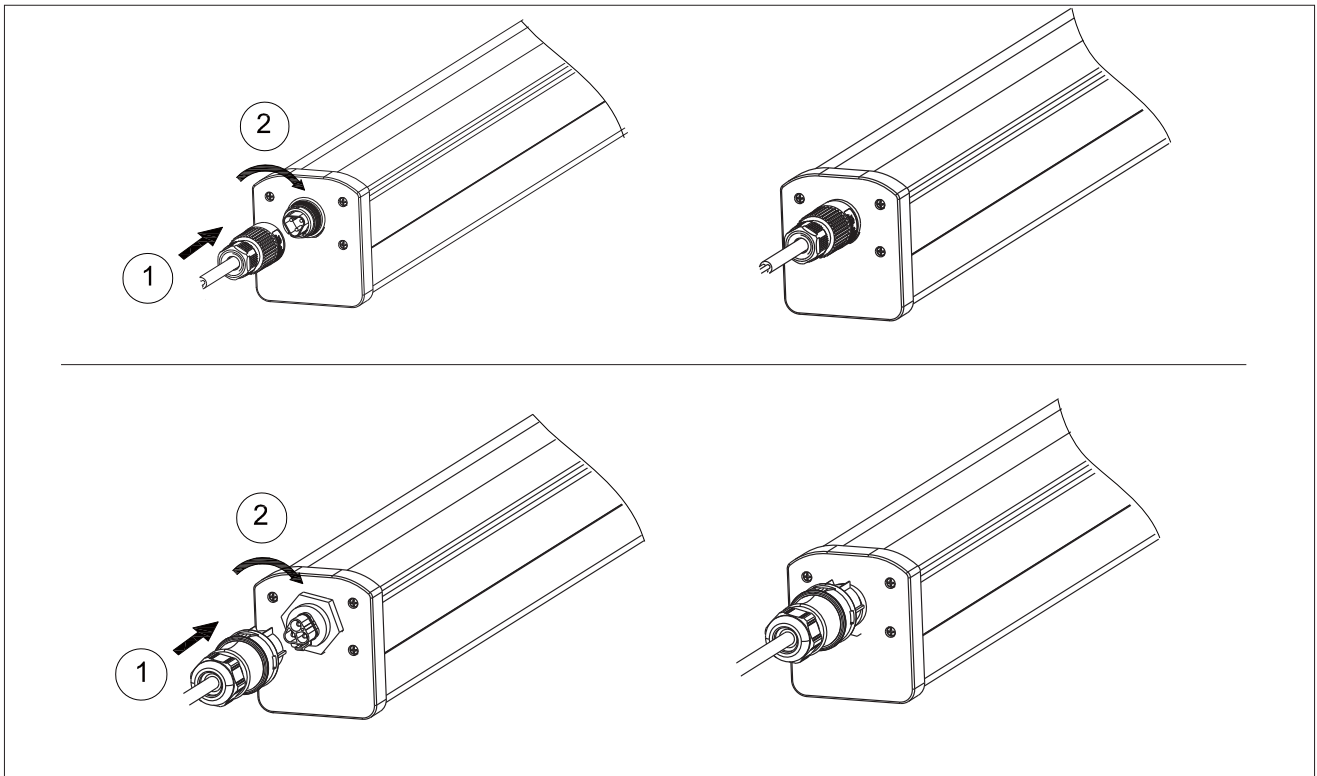
hammer

Intallations(Surface Installation):



Intallations(Suspended Installation):





Linkable Installation:

