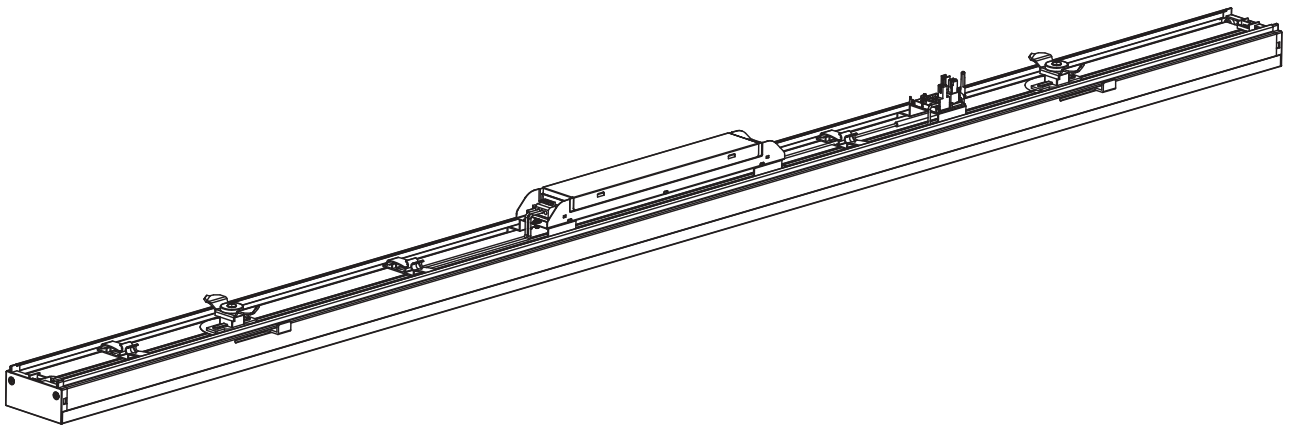


TRUNK2



INSTRUCTION MANUAL

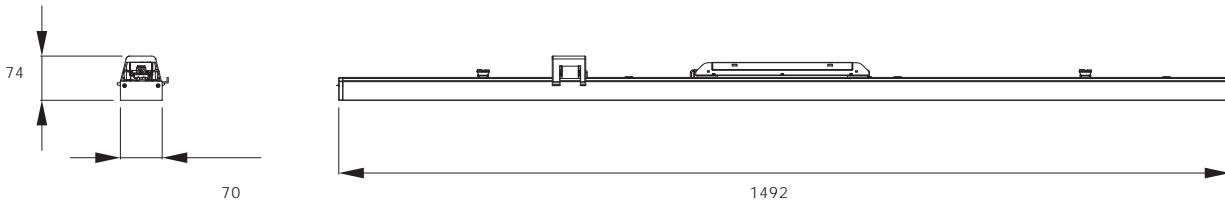
SERIES: TRUNK2

Read these instructions completely and carefully.

ATTENTIONS

- Read the instruction carefully before installation, non-observance of this instruction may cause damage to the product or hurt to human body. The installation must be carried out by a qualified electrician in accordance with local or national codes.
- Cut off the power supply before installation and maintenance !
- Regularly check the light source, the LED power supply, the cord and other accessories. If any part is damaged, the product should not be used.
- The product is only for indoor and dry location. Clean the product with a damp cloth (no dripping water), preferably anti-static.
- Do not stare into LED beam.
- product for Class I, the input line must have a ground wire.

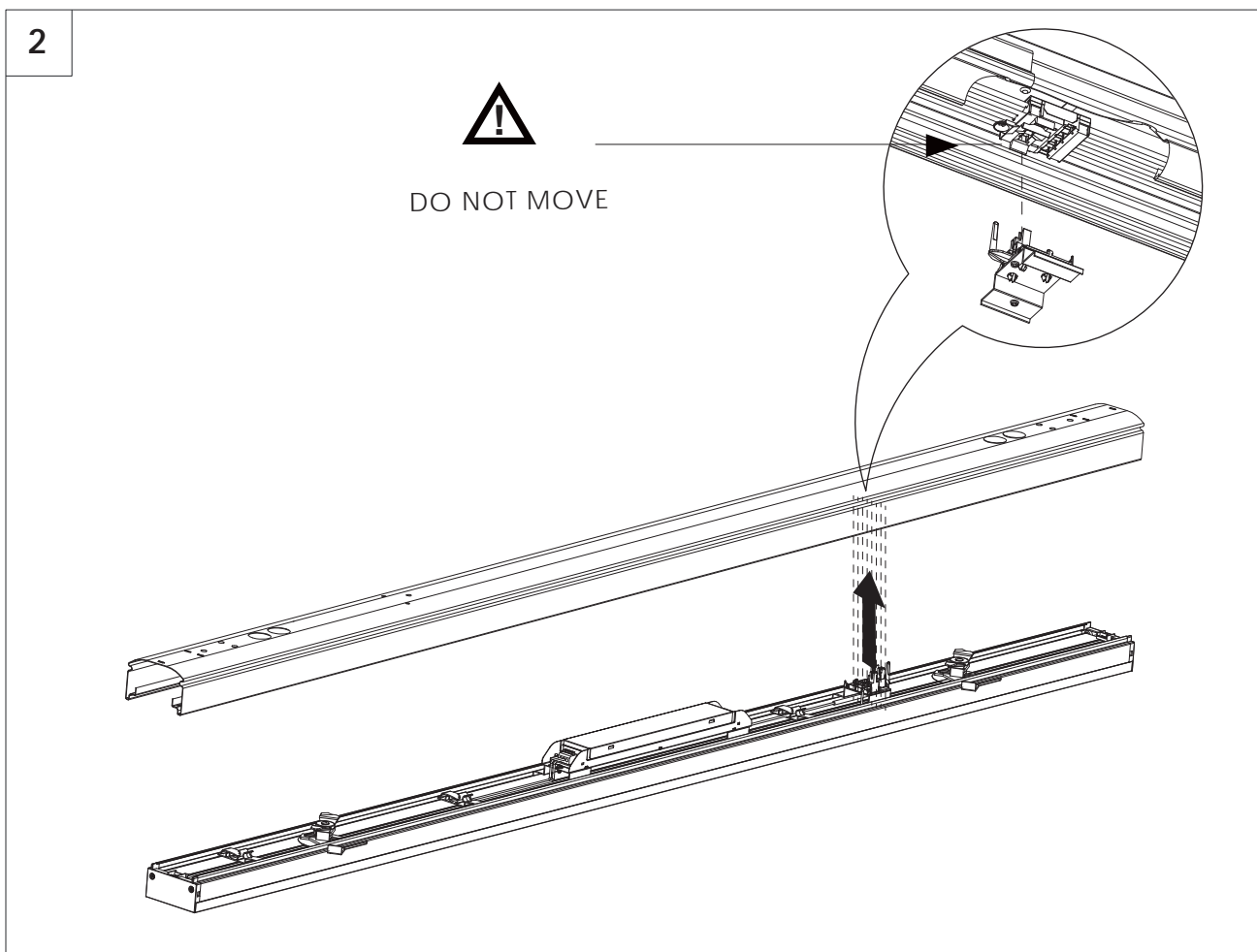
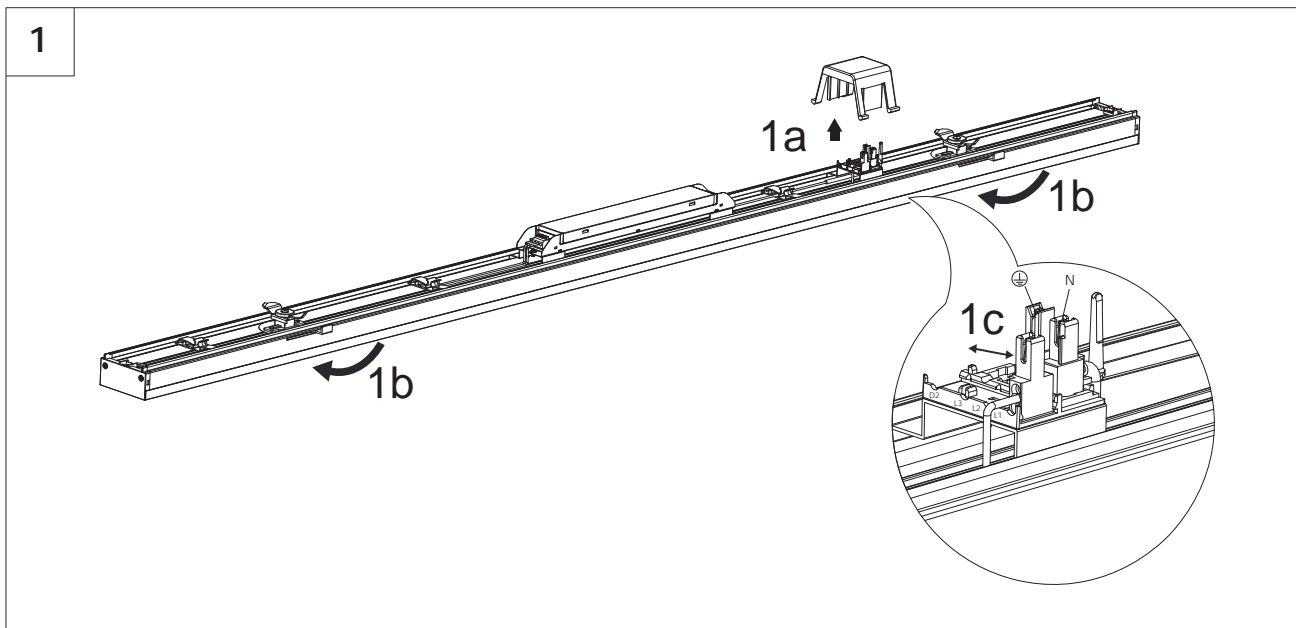
Dimensions: (mm)

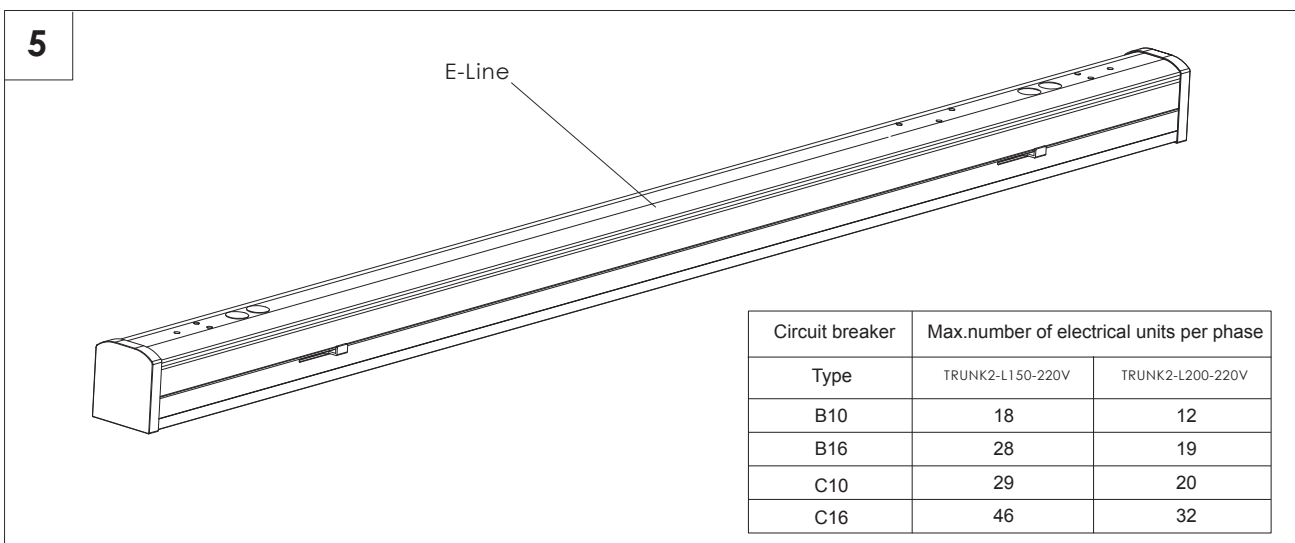
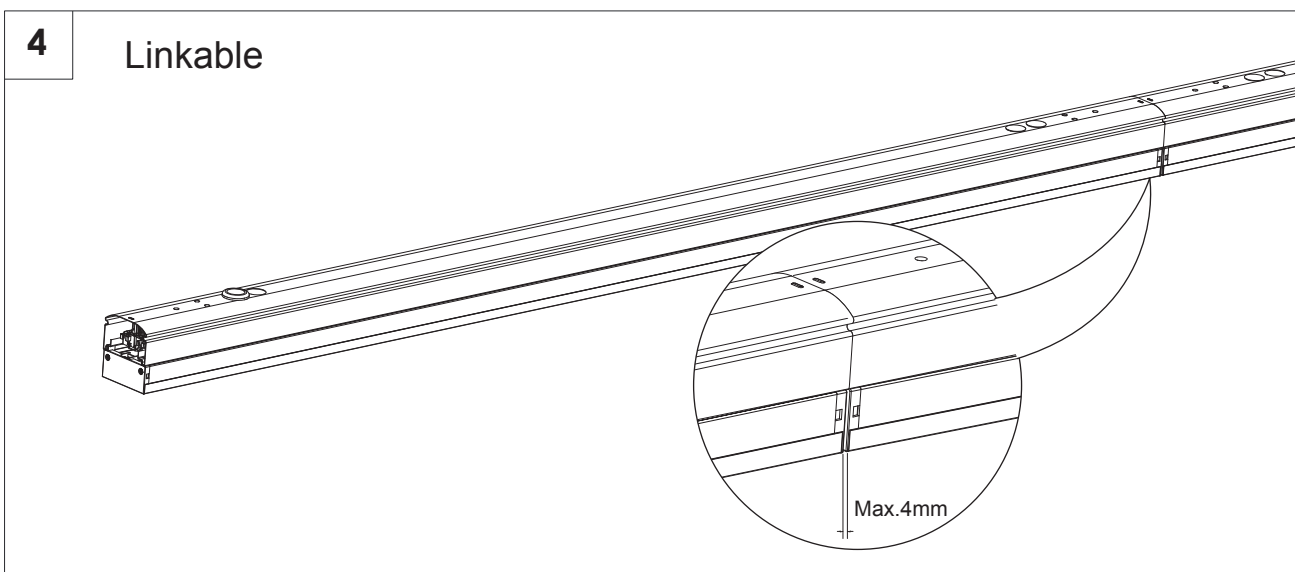
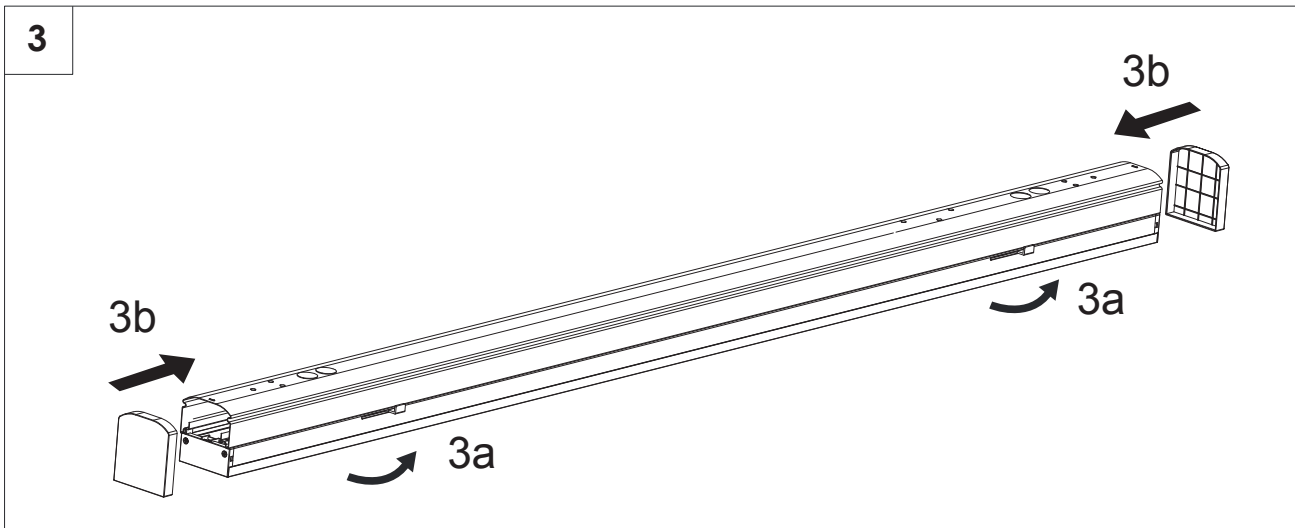


Specifications:

Model	Rated input	Freuquency	Power Facotor	Power	Length	ta
TRUNK2-L150-220V	220~240VAC	50/60Hz	0.95	42W	1492mm	- 20~35 °C
TRUNK2-L200-220V	220~240VAC	50/60Hz	0.95	66W	1492mm	- 20~35 °C

Installation:





* PLEASE refer to "TRUNK E-Line instruction manual" for installtion of E-Line

SELF Electronics Co.,Ltd.

No. 1345 JuXian Road, Ningbo Hi Tech Park, Ningbo, China 315103